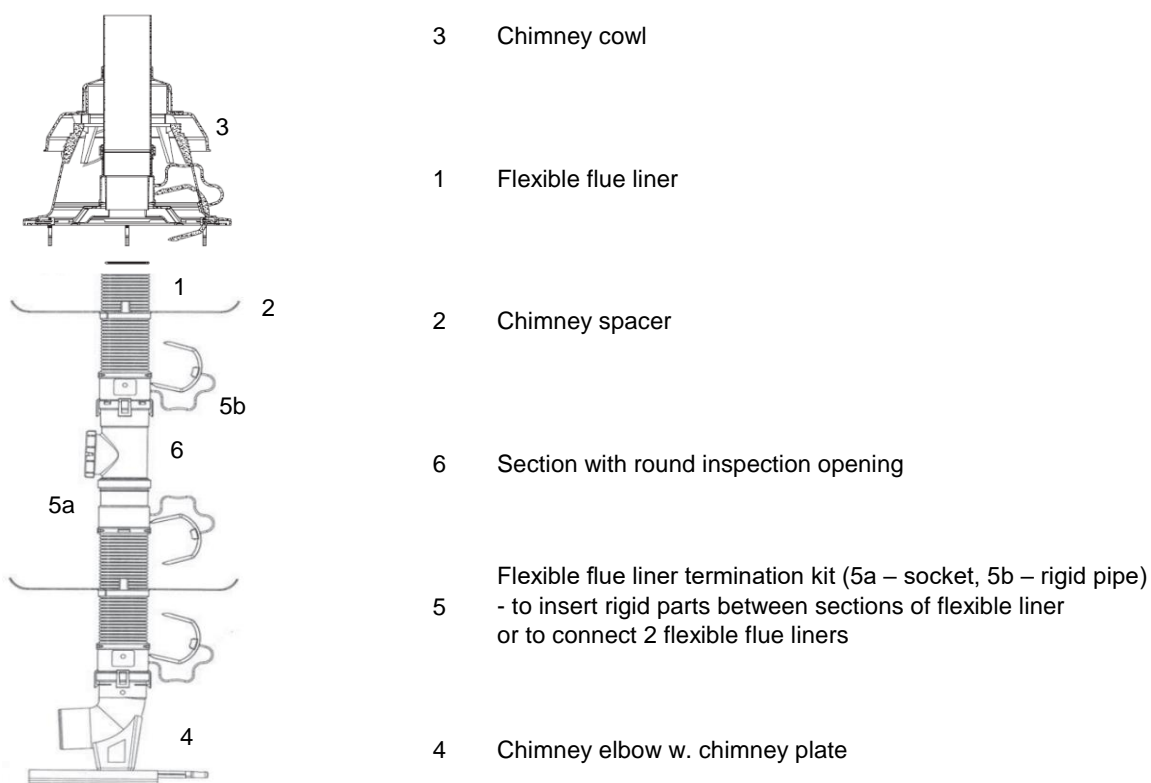


RegulusFLEX Flexible Flue Liner, diam. 100

Main features	
Application	discharge of flue gas from condensing gas boilers
Description	Flue gas discharge system for gas-fired condensing boilers through a flexible flue liner inside a chimney. Conventional components of concentric or twin flue piping can be used between the boiler and the chimney. The same applies to components inside the chimney – sections with inspection doors, T-pieces etc.
Transported medium	flue gas up to 120 °C, air
Certification	EN 14471:2013

Technical Data	
Pipe material	polypropylen
Pipe diameter	100 mm
Gasket material	EPDM

Installation Diagram



RegulusFLEX Flexible Flue Liner, diam. 100

Flexible Flue Liner

3D model

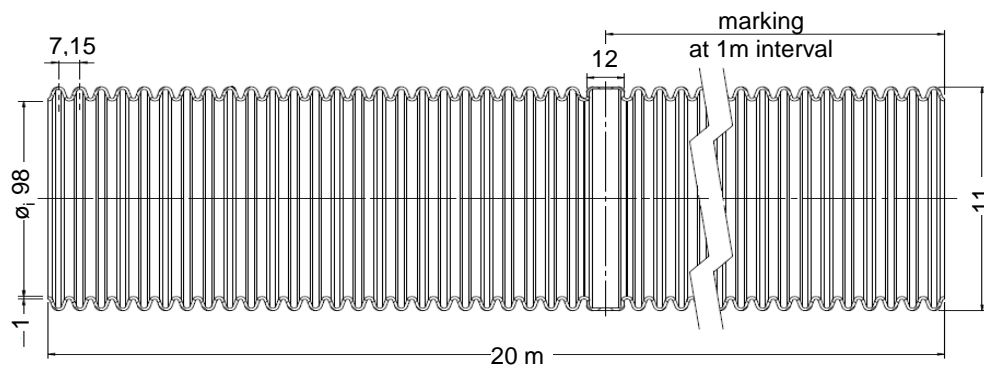


Photo (20 m long)



Codes	Marking	Lenght
16116	BB005189	20 m
16063	BB005191	sold by the meter (max 50 m)

Dimensions



Chimney Spacer

3D model

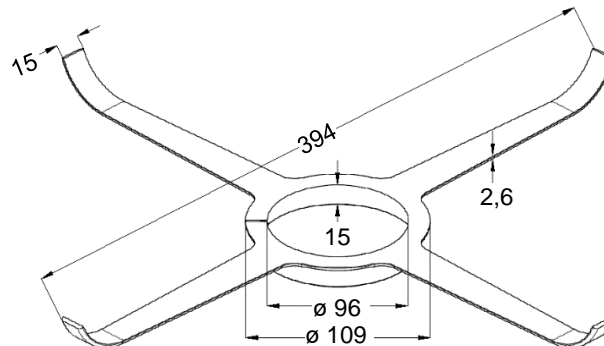


Photo



Code	Marking	
7001 ¹⁾	BN005024	¹⁾ 5 chimney spacers are also included in chimney kit 16840

Dimensions



RegulusFLEX Flexible Flue Liner, diam. 100

Chimney Cowl

3D model



Photo



Code

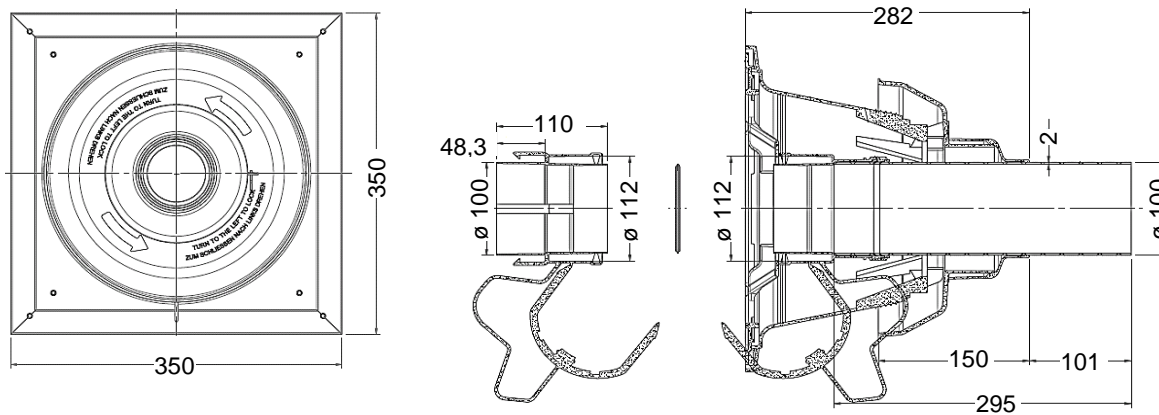
Marking

15837²⁾

A5025059

²⁾ chimney cowl is also included in chimney kit 16840

Dimensions



Chimney Elbow w. support

3D model



Photo



Code

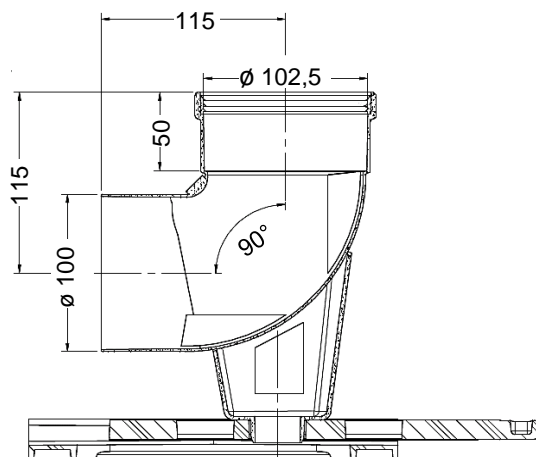
Marking

12409³⁾

A1012145

³⁾ chimney elbow is also included in chimney kit 16840

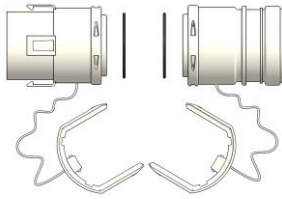
Dimensions



RegulusFLEX Flexible Flue Liner, diam. 100

Termination Kit

3D model



Photo



Code

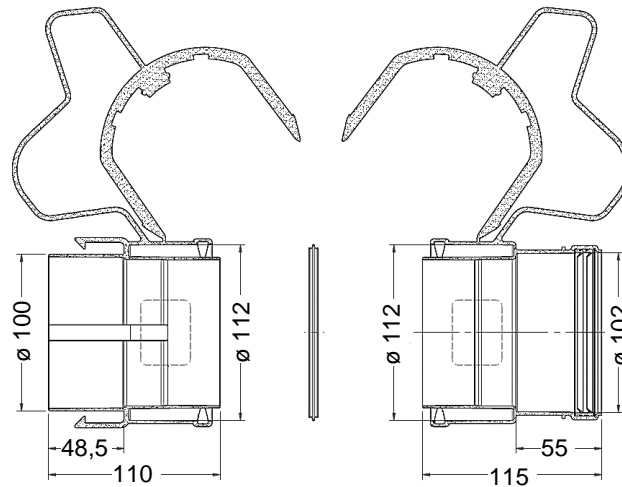
Marking

15442⁴⁾

BB005193

⁴⁾ kit is also included in chimney cowl set 15837

Dimensions



Gasket

3D model



Photo



Code

Marking

Diameter

Specification

15953

A1015322

100 mm

1 lip

Dimensions

