

USER INSTRUCTIONS TS95H30-TS95H40 DOUBLES BOXED THERMOSTATS

TS95H30: Immersion double boxed thermostat with external adjustment and limiter device of temperature with manual reset.(pic.1)
 TS95H40: Immersion double boxed thermostat with internal adjustment and limiter device of temperature with manual reset.(pic.3)

CONDITIONS OF USE

For the correct working and for safety reasons the thermostat is to be installed and used according to the instructions herebelow provided. The thermostat must be protected from water and dust. The boxed thermostats have been tested in compliance with the European standards for safety and have been classified as follows:

- 1) according to its manufacture: as an automatic control device by independent mounting.
 - 2) according to its automatic operating feature: as a 1.B operated control type (control device); 2.B.K.N (limiter device).
- The reset of the limiter device is made by means of the red button placed under the screw cap.

INSTALLATION

Installation of TS95H30-TS95H40 is made by means of a copper pocket or a ventilated tube. Proceed as follows:

- by means of a COPPER POCKET (pic.4): fix the pocket in the seat on the appliance and screw it through the threaded connection, put the thermostat probe inside the pocket and fix the pocket to the thermostat base using the fixing screw (pic.2)
- by means of a VENTILATED TUBE (pic.5): fix the flange of the ventilated tube in the seat on the appliance, put the thermostat probe inside the ventilated tube and fix the tube to the thermostat base using the fixing screw (pic.2).

ELECTRICAL CONNECTION

Before proceeding with the electrical connection, make sure that there is no voltage in the cables. The electrical connection is ensured by means of screw terminals. Maximum diameter of the cross-section=2,5mm.²

We recommend the use of electrical connections suitable for the operating temperature.

The wiring diagram is shown on the label inside the product. The electrical connection must be executed by professional personnel according to standards and to laws in force.

Remove the screw cap, the knob and the cover by unscrewing the 2 screws, put the wires of the system through the cable-gland and make the electrical connections to the cable-box, replace the cover, fix the screws and replace the knob and the screw cap.

CONTROL DEVICE: CONNECTION C-1: opens the circuit when temperature rises.
 CONNECTION C-2: closes the circuit when temperature rises.

LIMITER DEVICE: CONNECTION C-1: opens the circuit when temperature rises.

THERMAL, ELECTRICAL AND MECHANICAL FEATURES

Temperature range of the control device: 0 ÷ 120°C

Temperature range of the limiter device: 70 ÷ 100°C

Nominal load of the control device: C-1 16 (3)A / 250V ~ (opening contact)
 C-2 6 (1)A / 250V ~ (closing contact)

Nominal load of the limiter device: C-1 16 (3)A / 250V ~ (opening contact)

Max. operating temperature: T90

Differential: 2 ÷ 5K (dependig on the model of thermostat)

Resetting temperature of limiter device: < 50°C

Protection degree: IP 40

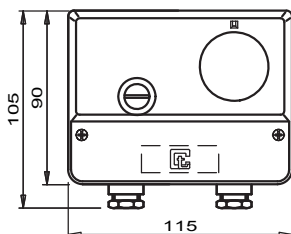
Insulation class: □

Storage temperature: 0 ÷ 60°C

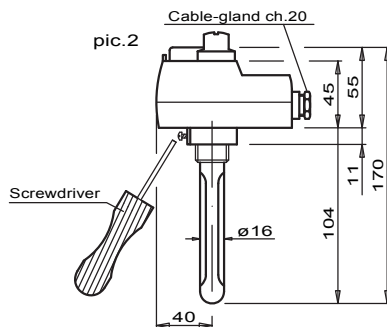
CE NOTES

Type of disconnection: micro-disconnection
 Micro-environment pollution degree: 2
 Group of insulation material: IIIa
 Overvoltage class: II 1500 V
 Duration of electric stress: long period
 Number of cycles (control device): 100.000
 Number of cycles (limiter device): 1000

pic.1 TS95H30

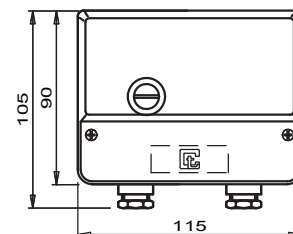


pic.2

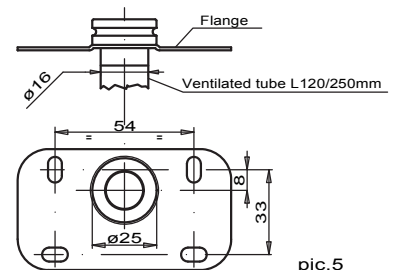
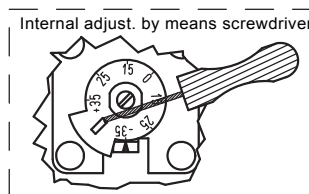
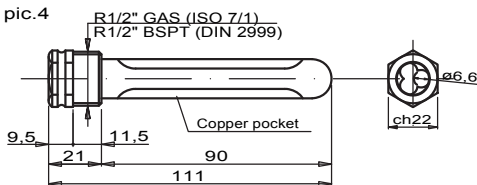


TS95H40

pic.3



pic.4



pic.5

Producer:



Distributor:



Termoregolatori Campini Corel S.p.A.
 22066 Mariano Comense - Como - Italy
 Via Don Guanella, 1

Regulus spol. s r.o. Czech Republic
 Do koutů 1897/3, 143 00 Praha 4
 Tel.: ++420 241 765 191 Fax: ++420 241 763 976
 e-mail: sales@regulus.cz, www.regulus.eu

