



CSE TV ZV G 1F

Installation and Operation Manual **EN**
CSE TV ZV G 1F PUMP STATION

1. Introduction

This pump station is intended to ensure circulation in DHW distribution piping in buildings, or to ensure hot water recirculation in DHW heating systems.

2. Description of the pump station

It consists of a UPM3 DHW 15-70 pump incl. power cable, insulation, check valve, two ball valves and thermometer.

Main features	
Application	DHW circuits – recirculation or heating in a heat exchanger
Description	consists of UPM3 DHW 15-70 pump, insulation, valve, two ball valves and thermometer
Working fluid	water, drinking water
Installation	to the piping, min. distance of the pipe axis from a wall is 100 mm
Code	15181

Data of CSE TV ZV G 1F Pump Station	
Fluid working temperature	2 - 95 °C
Max. working pressure	10 bar
Min. working pressure	0.5 bar
Ambient temperature	5 - 40 °C
Max. rel. humidity	80 %, non condensing
Power supply	230 V, 50 Hz
Insulation material	EPP RG 60 g/l
Overall dimensions	325 x 140 x 150 mm
Total weight	2.0 kg
Connections	2x G 1" F

3. Direction of Flow through the Pump Station



4. UPM3 DHW 15-70 Pump, 130 mm

Design

A wet-running circulation pump, G 1" M connection.

Electrical data	
Power supply	230 V, 50 Hz
Power input (min./max.)	2/52 W
Current (min./max.)	0.04/0.52 A
IP rating	IP44
Max. speed	5766 rpm
Weighted average power	≤ 23 W
Energy Efficiency Index	≤ 0.20 by EN 16 297/3
Motor protection	not needed



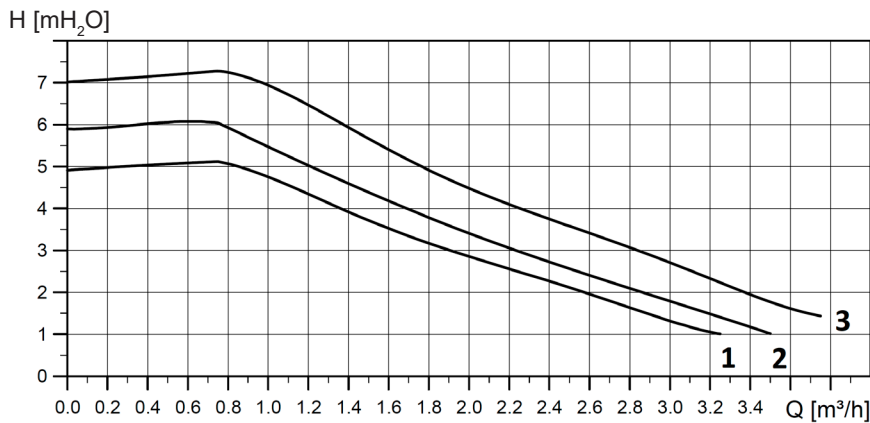
Pump control

The circulation pump can be controlled without a PWM signal by selecting the pump performance curve or using an external PWM control signal (profile for use in heating systems). A PWM pump control cable with connector is not included. It can be purchased as an optional accessory (code 16792), cable length 2 m.

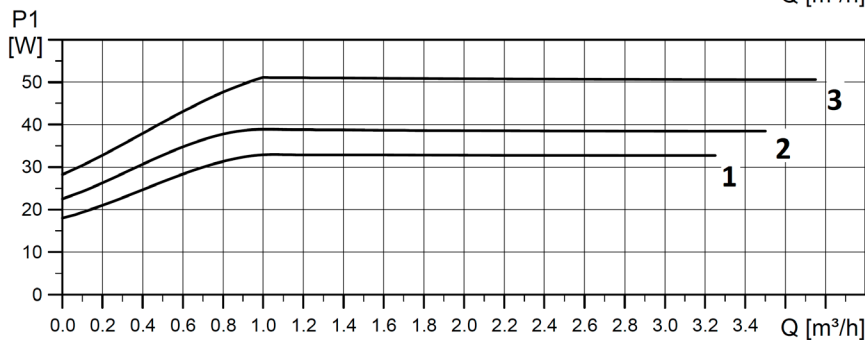
The maximum operating curve of the pump can be defined.

- with no PWM signal the pump runs at max. speed following the selected curve
- with PWM signal the pump speed changes with the signal value up to the maximum of the selected curve

Performance curves



Curve	Max. H (upper graph)	Max. P ₁ (lower graph)
1	5 mH ₂ O	33 W
2	6 mH ₂ O	39 W
3	7 mH ₂ O	52 W



Performance display



The LED numbering is further omitted for better clarity.

DISPLAY	PERFORMANCE CURVE	STATE	Max. H (upper graph)
	1	LOW PERFORMANCE	5 m
	2	MEDIUM PERFORMANCE	6 m
	3	HIGH PERFORMANCE	7,0 m

WARNING: LEDs may be mirrored, depending on the specific pump type.

GREEN LED FLASHING FREQUENCY	GREEN LED FLASHING FREQUENCY
1 flash per second	NO
12 flashes per second	YES

When switched on, the pump runs at factory settings or the last setting. The display shows the current pump performance.

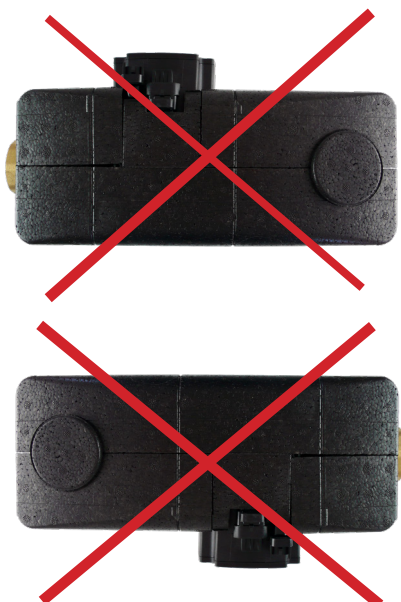
Setting Selection for UPM3

To select your desired setting, press the button repeatedly until you find the setting you need (see the figure above). If you pass the desired setting, you have to go one more round until it appears again.

Error Display

DISPLAY	CONTROL MODE
	Seized pump
	Too low power supply voltage
	Electric fault

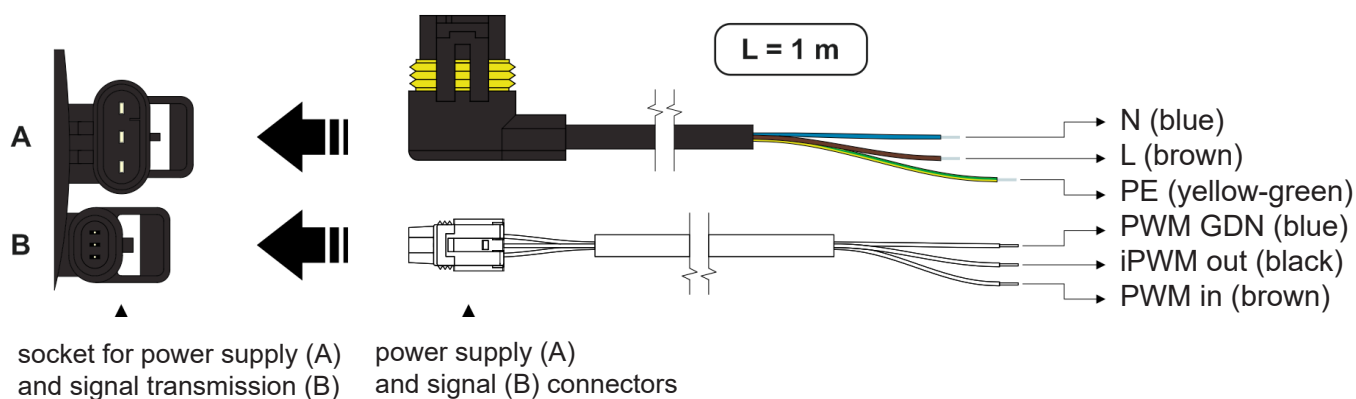
Prohibited positions



Permissible positions



Pump Wiring



connector (B) with 2m cable is not included in supply; it can be purchased as optional accessory, code 16792

