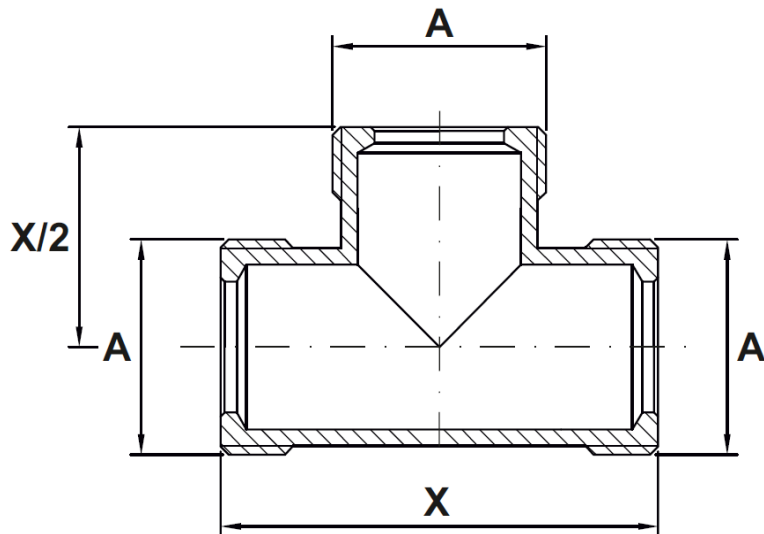


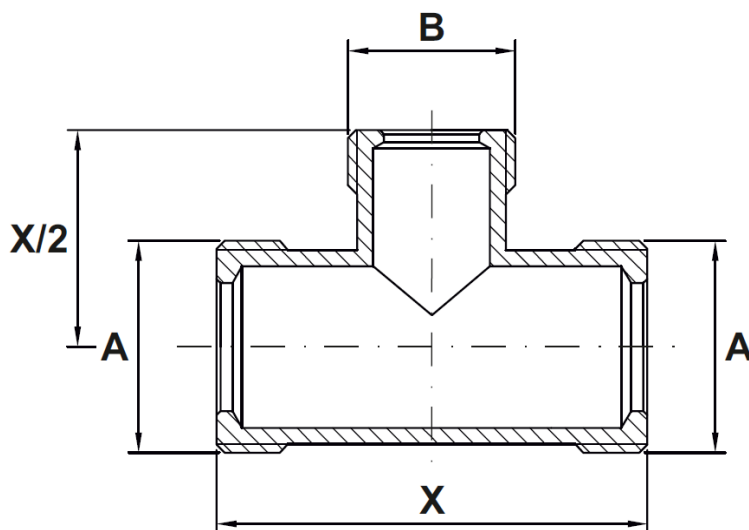
T-piece with outer threads and wide sealing surface area

Dimensions



Code	Connection	Nominal pressure	Working temperature	Dimensions			Weight	Materials
				X	A	B		
15175	1/2"	PN 16	max. 160 °C	48 mm	G 1/2" M	-	60 g	brass CW617N
15176	3/4"			54 mm	G 3/4" M	-	95 g	
15177	1"			62 mm	G 1" M	-	140 g	

Dimensions



Code	Connection	Nominal pressure	Working temperature	Dimensions			Weight	Materials
				X	A	B		
15178	3/4" x 1/2" x 3/4"	PN 16	max. 160 °C	54 mm	G 3/4" M	G 1/2" M	90 g	brass CW617N
15179	1" x 3/4" x 1"			62 mm	G 1" M	G 3/4" M	135 g	