

## DATA SHEET

### Four-way Mixing Valves, model LK 841

LK 841 external thread



LK 841 internal thread



LK 841 connection to copper



#### Main features

Application	heating and solar systems
Description	mixing valve with rotating inner segment
Working fluid	water, antifreeze mixture for heating and solar systems and heat pumps
Installation position	any, except for shaft (motor) downwards

#### Control

Electric control	can be fitted with electric actuators with torque of 5 Nm or more
Manual control	by turning the knob
Opening angle	90°

#### Technical parameters

Max. working pressure	10 bar
Max. pressure difference	5 m H <sub>2</sub> O
Fluid working pressure	5 to 110 °C (120 °C in short term)
Ambient working temperature	5 to 60 °C
Leaks	< 1.5% K <sub>vs</sub> at 5 m H <sub>2</sub> O pressure difference

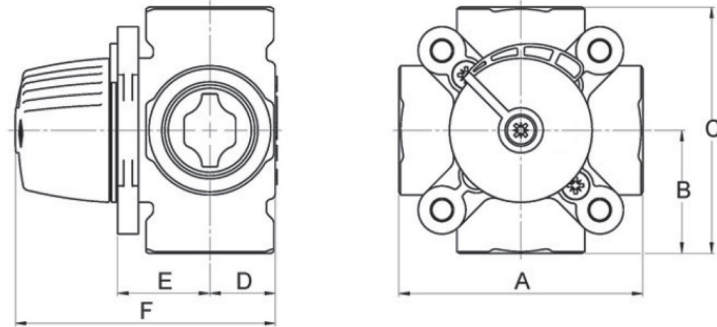
#### Materials

Valve body	forged brass
Valve member and spindle	brass
Inner valve bonnet	PPS
Outer valve bonnet	aluminium
Seal	EPDM

## DATA SHEET

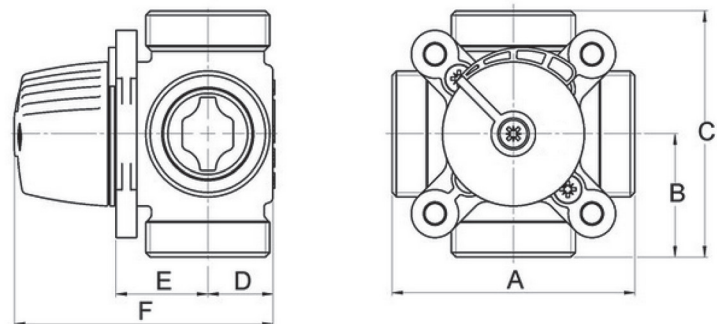
### Four-way Mixing Valves, model LK 841

#### LK 841 internal thread



	Code	Dimensions [mm]						Weight [kg]	K <sub>vs</sub> [m <sup>3</sup> /h]	Connection
		A	B	C	D	E	F			
LK 841 1/2F – 2.5	14859	80	40	80	20	28	82	0.7	2.5	G 1/2" F
LK 841 3/4F – 4.0	14864	80	40	80	20	28	82	0.7	4.0	G 3/4" F
LK 841 3/4F – 6.3 2.0	16780	70	35	70	18	29	81	0.5	6.3	G 3/4" F
LK 841 1F – 10.0 2.0	16694	70	35	70	20	29	83	0.5	10.0	G 1" F
LK 841 5/4F – 16.0 2.0	16699	84	42	84	24	32	90	0.8	16.0	G 5/4" F
LK 841 6/4F – 24.0	12664	118	59	118	30	36	100	2.3	24.0	G 6/4" F
LK 841 2F – 40.0	12665	127	63,5	127	35	40	109	2.7	40.0	G 2" F

#### LK 841 external thread

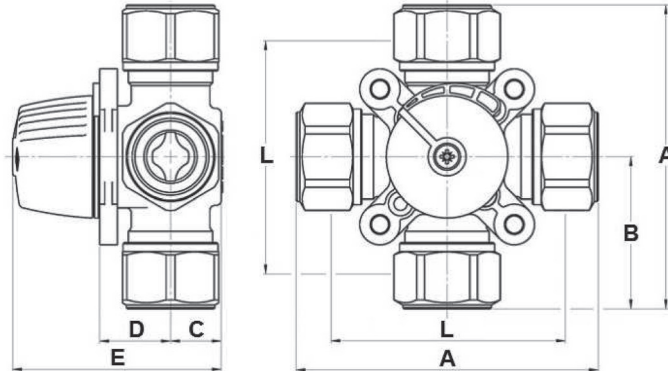


	Code	Dimensions [mm]						Weight [kg]	K <sub>vs</sub> [m <sup>3</sup> /h]	Connection
		A	B	C	D	E	F			
LK 841 3/4M – 2.5	14829	80	40	80	20	28	82	0.7	2.5	G 3/4" M
LK 841 1M – 4.0 2.0	16776	80	40	80	18	29	81	0.5	4.0	G 1" M
LK 841 1M – 6.3 2.0	16777	80	40	80	18	29	81	0.5	6.3	G 1" M
LK 841 5/4M – 8.0	14832	82	41	82	22	31	87	0.8	8.0	G 5/4" M
LK 841 5/4M – 12.0	14833	82	41	82	22	31	87	0.8	12.0	G 5/4" M
LK 841 6/4M – 15.0	14834	84	42	84	24	32	90	0.9	15.0	G 6/4" M

## DATA SHEET

### Four-way Mixing Valves, model LK 841

#### LK 841 connection to copper



The dimension L corresponds to the valve dimensions without nuts.

	Code	Dimensions [mm]						Weight [kg]	$K_{vs}$ [m <sup>3</sup> /h]	Connection
		A	B	C	D	E	L			
LK 840 Cu15 – 2.5	15777	114	57	20	28	82	80	0.9	2.5	15 mm
LK 840 Cu18 – 2.5	15778	114	57	20	28	82	80	0.9	2.5	18 mm
LK 840 Cu22 – 2.5	15779	114	57	20	28	82	80	0.9	2.5	22 mm
LK 840 Cu28 – 4.0	15780	120	60	20	28	82	80	1.1	4.0	28 mm
LK 840 Cu28 – 6.3 2.0	16789	120	60	18	28	82	80	1.0	6.3	28 mm

#### Pressure drop diagram

