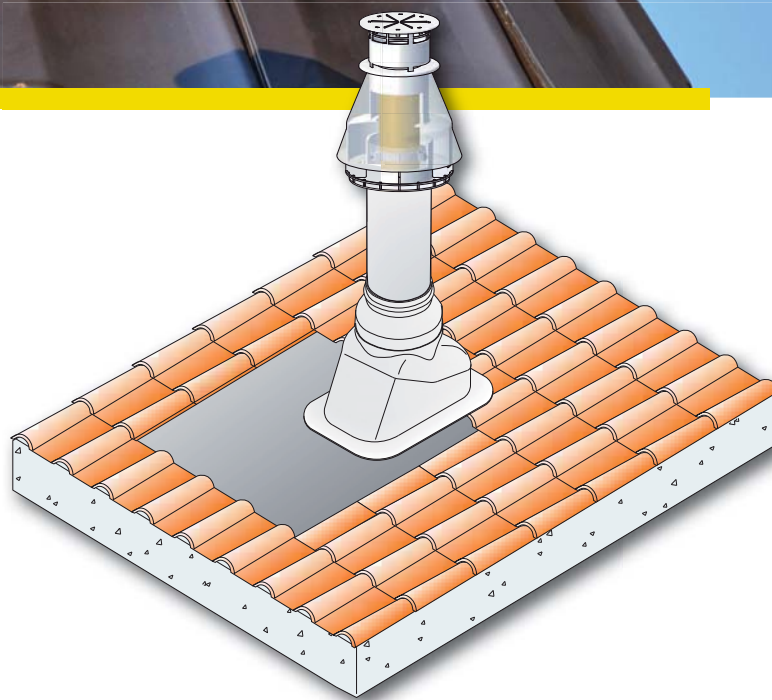




FLUE PIPES FOR BOILERS



in POLYPROPYLENE
for condensing boilers

in ALUMINIUM
for fanned boilers



CONTENTS

Flexible flue pipe system for condensing boilers	5	RegulusFLEX ø 60	RegulusFLEX
	6	RegulusFLEX ø 80	
	8	RegulusFLEX ø 100	
	9	RegulusFLEX ø 125	
Rigid flue pipe system for condensing boilers	10	Concentric flue pipes in ø 60/100	ø 60/100
	15	Concentric flue pipes in ø 80/125	ø 80/125
	20	Single-wall flue pipes in ø 60	ø 60
	22	Single-wall flue pipes in ø 80	ø 80
	32	Single-wall flue pipes in ø 100	ø 100
	35	Single-wall flue pipes in ø 125	ø 125
	37	Flue pipes for boiler cascades, ø125	Boiler series ø125
	38	Flue pipes for boiler cascades, ø160	Boiler series ø160
	40	Accessories for condensing boilers - Spare parts - Sealing O-rings	Accessories
	Rigid flue pipe system for fanned boilers	44	Concentric flue pipes in Al, ø 60/100
51		Concentric flue pipes in Al, ø 80/125	ø 80/125
55		Single-wall flue pipes in Al, ø 80	ø 80
61		Single-wall flue pipes in Al, ø 100	ø 100
62		Accessories for fanned boilers - Spare parts - Sealing O-rings	Accessories

FLUE PIPES FOR GAS BOILERS

Regulus offers a wide range of flue pipes for non-condensing fanned boilers and for condensing boilers. These flue pipes are designed for indoor installation, only the stainless-steel external flue piping is designed for outdoor installation.

Advantages:

- easy and quick installation and inspection of flueway
- strong and tight slip-on connections
- wide choice of components in stock for any flue exhaust solution
- technical support in flueway design

System components:

The range of products involves connecting flanges, single-wall and coaxial extensions, terminals with flue discharge and air intake, single-wall and coaxial 45° and 90° elbows, parts with inspection and tap holes, wall collars, roof flashings, flue terminals, chimney spacers, sealing O-rings and connection material. Individual components are connected by slipping and sealed by special silicone O-rings with lips. For easier installation the O-rings shall be greased with silicone paste, e.g. SCIV-O-RING. Should the piping pass through a wall, both inner and outer sealing collars are needed. For a roof passage either a flat or pitched roof flashing can be used, depending on the roof type. The inclined roof flashing is intended for roofs of 18 to 44 degree inclination. Separate extension parts can be cut to the desired length. Installation shall be done in compliance with the respective technical standards, rules, boiler manufacturer instructions and installation manuals.

FLUE PIPES FOR CONDENSING BOILERS

These flue pipes are intended for gas- or oil-fired (0.2% of sulphur max.) low-temperature and condensing boilers with max. flue gas temperature at the flue spigot of 120°C and in a negative or positive pressure mode. Polypropylene is used for flueways as it is resistant to acid condensate and well shapeable for separate components.

Flue pipes are supplied in concentric versions \varnothing 60/100 or \varnothing 80/125. Flue gas leaves through the inner polypropylene pipe of 60 (80) mm diameter and combustion air is sucked in through the outer metal varnished pipe or PP pipe of 100 (125) mm diameter, or two separate pipes are used with separate flue exhaust and air intake (2x \varnothing 80). Further single-wall flue pipes are available in 60 mm, 100 mm and 125 mm diameter, and flue pipes for boiler series in 125 mm and 160 mm diameter.

Flue pipes for condensing boilers **are certified according to EN 14471:2013.**

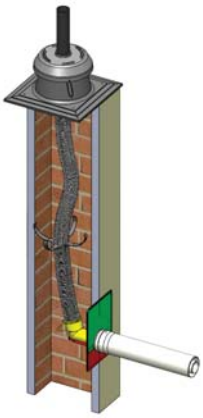
FLUE PIPES FOR FANNED BOILERS

These flue pipes are intended for gas boilers with max. flue gas temperature at the flue spigot of 200°C and in a negative or positive pressure mode. Aluminium is used for flueways. The flue pipes are also resistant to eventual condensate as well.

Flue pipes are supplied in concentric versions \varnothing 60/100 or \varnothing 80/125. Flue gas leaves through the inner aluminium pipe of 60 (80) mm diameter and combustion air is sucked in through the outer metal varnished pipe of 100 (125) mm diameter, or two separate pipes are used with separate flue exhaust and air intake (2x \varnothing 80). Further single-wall flue pipes are available in 60 mm (100 mm) diameter.

Flue pipes for fanned boilers **are certified according to EN 1856-1:2009.**

RegulusFLEX Flexible flue pipe system



A new, advanced system of flue piping for gas-fired condensing boilers. The flexible pipe can be bent and cut easily at any place. After the desired length is cut away, a pipe hub shall be fitted at one pipe end and a rigid pipe section at the other end (a component of a chimney kit or a separate item). This way the flexible section becomes ready to be connected to any part of a rigid flue piping – elbows, T-pieces, adapters with inspection holes etc. Inside a chimney, the pipes are centred using the spacers, and on the roof a dedicated flue terminal with chimney plate is used. This makes the installation of flue piping easier and quicker.

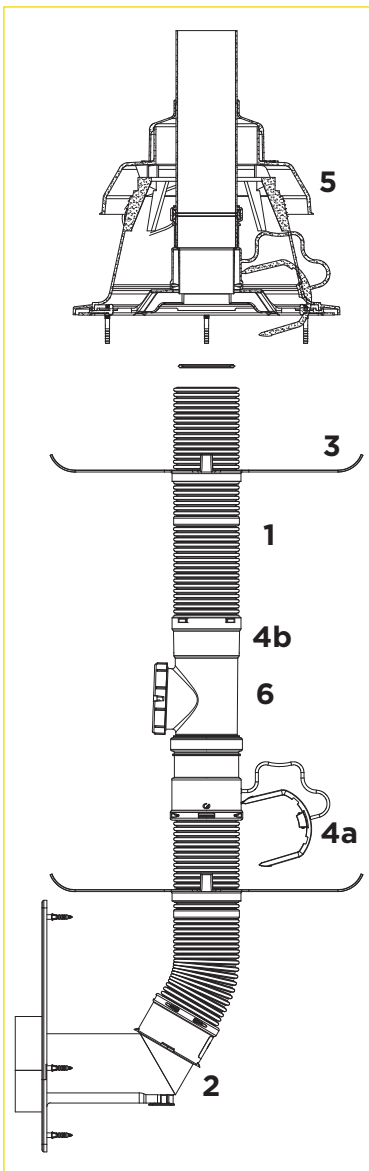
Current components of concentric or twin flue pipes may be used between a boiler and chimney, see p. 9-41.

A video showing the installation can be viewed at <https://youtu.be/eVYe68OYc3E>



Flexible flue pipe system

Vertical discharge, vertical intake through a chimney



1 - 16062 BB011524	Flexible flue pipe
2 - 16817 A1012243	Chimney elbow
3 - 7419 BN011091	Spacer
4 - 15441 BB011521	Termination kit
5 - 15836 A5025058	Chimney cowl
6 - 11511 BB011094	Flue pipe section with round inspection hole

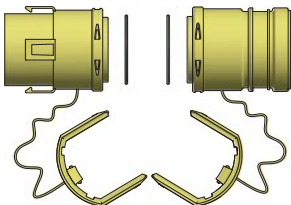
Components ø 60

RegulusFLEX flexible pipe, ø 60



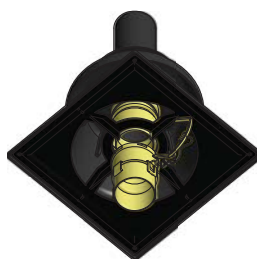
Code	Length	Identification	Note
16058	sold by the meter	BB004243	max. 50 m
16114	20 m	BB004241	

Termination kit for flexible piping, ø 60



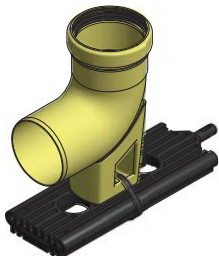
Code	15440
Identification	BB004240

Chimney cowl with chimney plate - incl. termination kit for flexible piping



Code	15835
Identification	A5025057

90° elbow, ø 60, incl. chimney support



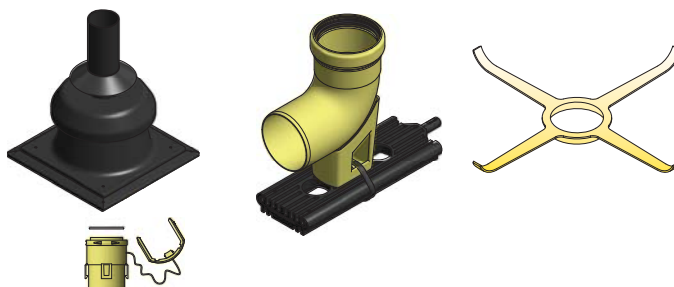
Code	12108
Identification	A1012120

RegulusFLEX chimney kit, ø 60

Code 16543

CONSISTING OF:

Item	Code
Chimney cowl	15835
Elbow w. support	12108
5 spacers	15428



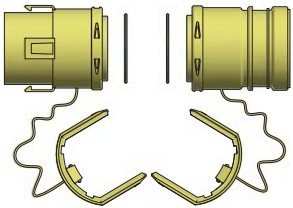
Components ø 80

RegulusFLEX flexible pipe, ø 80



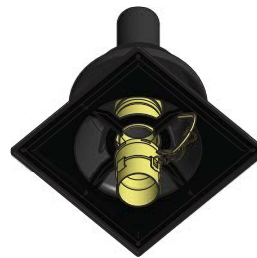
Code	Length	Identification	Note
16062	sold by the meter	BB011524	max. 80 m
17927	10 m	REG-17927	
16115	20 m	BB011515	
16666	80 m	REG-16666	with mark every 1 meter

Termination kit for flexible piping, ø 80



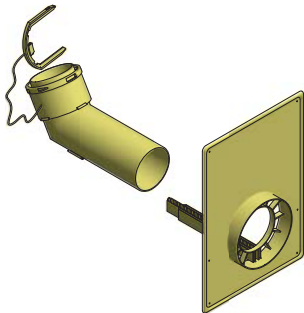
Code	15441
Identification	BB011521

Chimney cowl with chimney plate - incl. termination kit for flexible piping



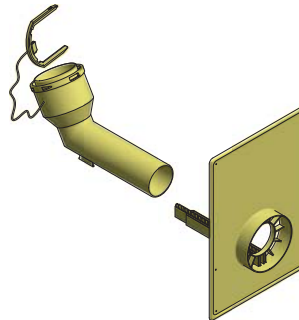
Code	15836
Identification	A5025058

90° elbow, ø 80, with support and wall plate, w. adapter to 80/125



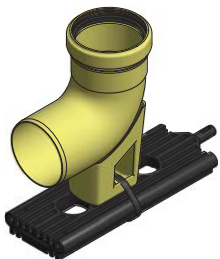
Code	16817
Identification	A1012243

90° elbow, ø 80/60, incl. support and wall plate, w. adapter to 60/100



Code	17229
Identification	A1012248

90° elbow, ø 80, incl. chimney support



Code	11954
Identification	A1012121

Components ø 80

90° elbow, ø 80, for chimney liners



Code	17815
Identification	BB011895

90° elbow, ø 80/60, for chimney liners



Code	17814
Identification	BB011894

Wall plate



Code	Identification	Note
17925	BB012208	ø 60/100
17926	BB013077	ø 80/125

RegulusFLEX 80 Chimney Kit with chimney elbow w. support

Consists of chimney cowl (15836), elbow and 5 chimney spacers (7419).

Code	Elbow	Connection			
16176	11954	ø 80			

RegulusFLEX 80 Chimney Kit with chimney elbow w. support and wall plate

Consists of chimney cowl (15836), elbow and 5 chimney spacers (7419).

Code	Elbow	Connection			
17243	17229	ø 60/100			
16904	16817	ø 80/125			

RegulusFLEX 80 Chimney Kit with screw-on elbow

Consists of chimney cowl (15836), screw-on elbow, grommet and 5 chimney spacers (7419).

Code	Elbow	Connection				
17887	17815	ø 80				
17886	17814	ø 60				

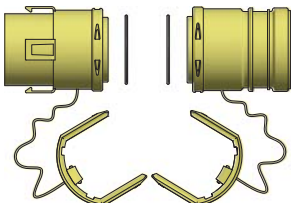
Components ø100

RegulusFLEX flexible pipe, ø 100



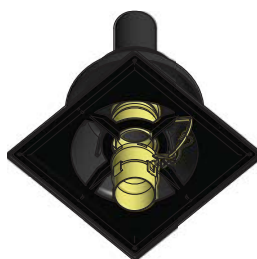
Code	Length	Identification	Note
16063	sold by the meter	BB005191	max. 50 m
16116	20 m	BB005189	

Termination kit for flexible piping, ø 100



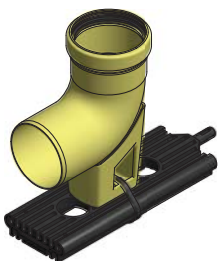
Code	15442
Identification	BB005193

Chimney cowl with chimney plate - incl. termination kit for flexible piping



Code	15837
Identification	A5025059

90° elbow, ø 100, incl. chimney support



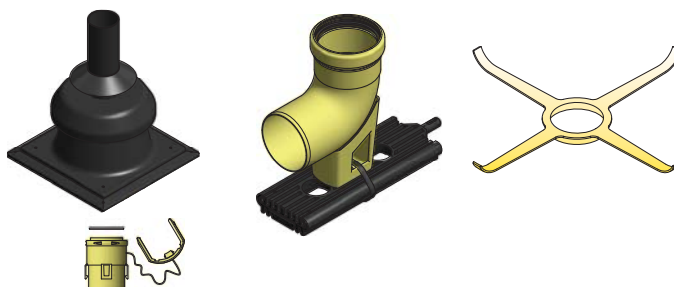
Code	12409
Identification	A1012145

RegulusFLEX chimney kit, ø 100

Code	16840
------	-------

CONSISTING OF:

Item	Code
Chimney cowl	15837
Elbow w. support	12409
5 spacers	7001



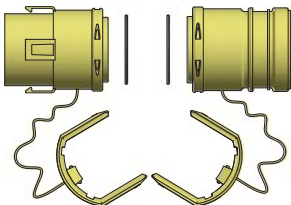
Components ø125

RegulusFLEX flexible pipe, ø 125



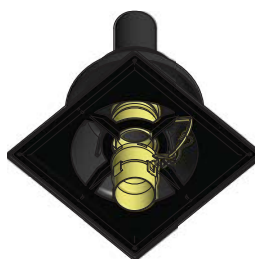
Code	Length	Identification	Note
16117	20m	BB015115	

Termination kit for flexible piping, ø 125



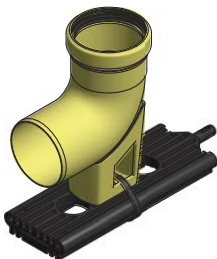
Code	15443
Identification	BB015116

Chimney cowl with chimney plate -
incl. termination kit for flexible piping



Code	15838
Identification	A5025060

90° elbow, ø 125, incl. chimney support



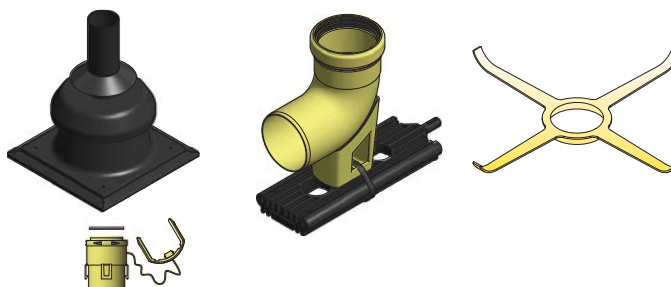
Code	14546
Identification	A1012169

RegulusFLEX chimney kit, ø 125

Code	16841
------	-------

CONSISTING OF:

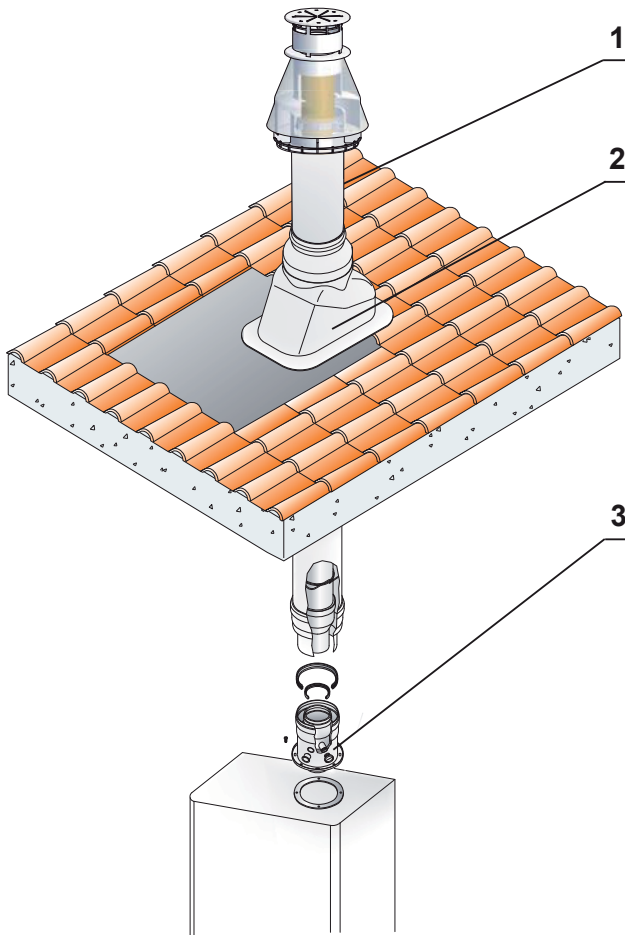
Item	Code
Chimney cowl	15838
Elbow w. support	14546
5 spacers	8869



Flue pipes \varnothing 60/100

Installation example

Vertical flue terminal

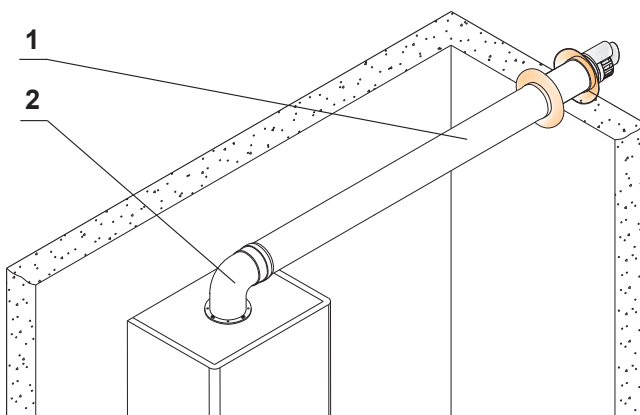


1 - 11253
A5023165 Flue end \varnothing 60/100 PP

2 - 8014
A5025036 Pitched roof flashing - aluminium sheet

3 - 4673
A2002007 Flange \varnothing 60/100 with tap holes - PP/AL

Horizontal flue terminal



1 - 4677
A2008004 Horizontal flue terminal \varnothing 60/100 - PP/iron
sheet - plastic end

2 - 6384
A2002025 90° Flanged elbow, \varnothing 60/100, PP/iron sheet

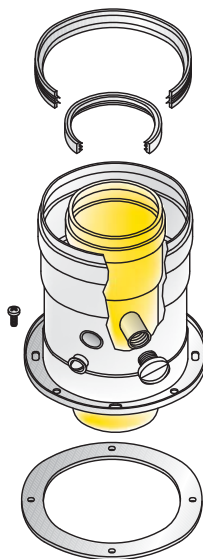
Components ø 60/100, PP/iron sheet

Boiler adaptor ø 60/100 with tap holes



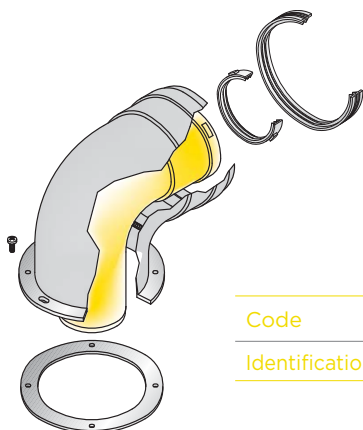
Code	7807
Length	120 mm
Identification	A2002091

Flange ø 60/100 with tap holes



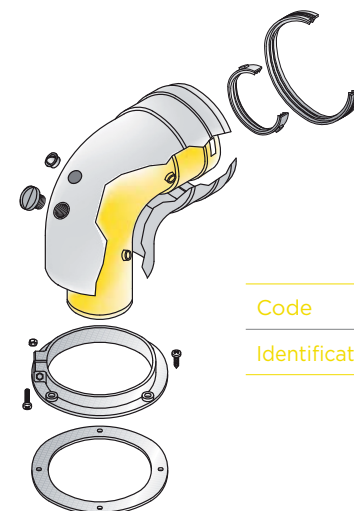
Code	4673
Length	120 mm
Identification	A2002007

90° flanged elbow ø 60/100 die cast aluminium



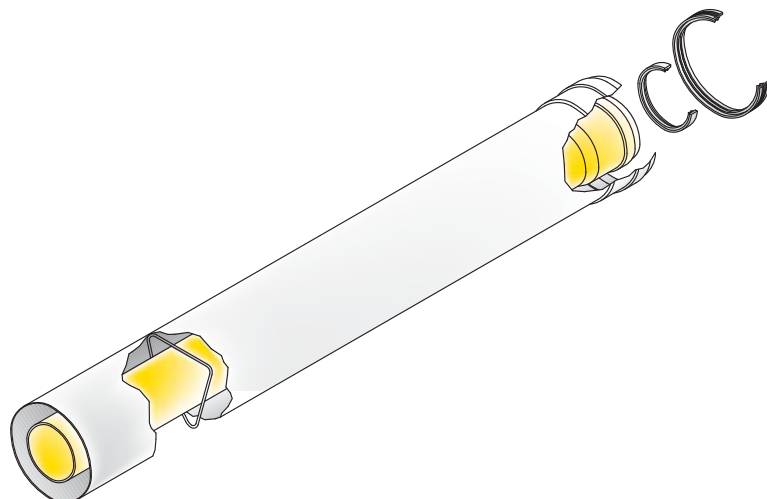
Code	6384
Identification	A2002025

90° flanged elbow ø 60/100 rotating, tap holes



Code	7216
Identification	A2008021

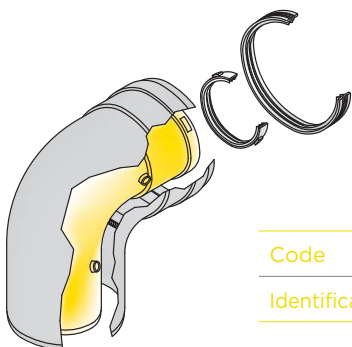
Extension ø 60/100



Code	Length	Identification
9595	250 mm	A2008160
9596	500 mm	A2008161
9597	1000 mm	A2008162
8514	2000 mm	A2008079

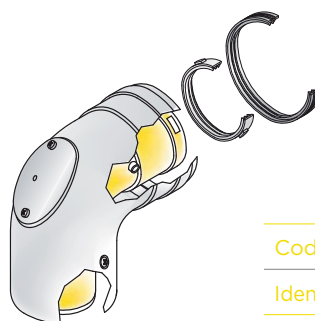
Components ø 60/100, PP/iron sheet

90° elbow ø 60/100



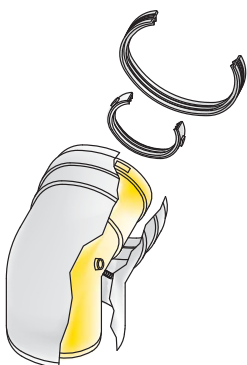
Code	6653
Identification	A2008008

90° elbow ø 60/100, inspection hole



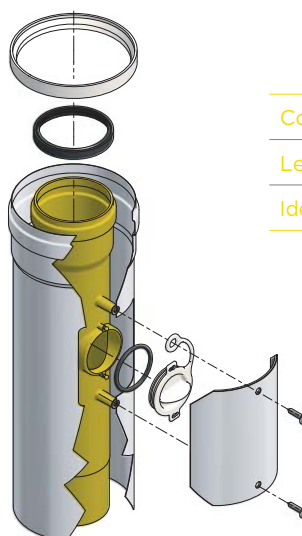
Code	12756
Identification	A2008128

45° elbow ø 60/100



Code	6140
Identification	A2002057

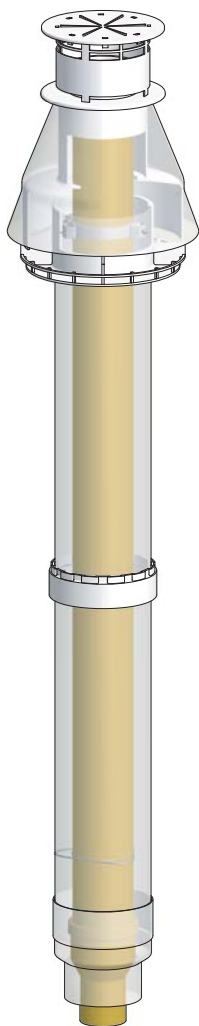
Flue section ø 60/100 with inspection hole



Code	13835
Length	310 mm
Identification	A2002126

Components ø 60/100, PP/iron sheet

Flue end ø 80/125 with adapter to ø 60/100



Code	11253
Colour	black
Length	1285 mm
Identification	A5023165

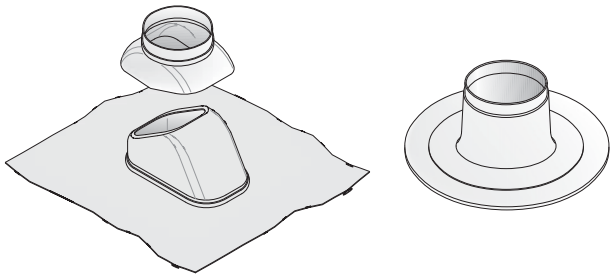
Code	11254
Colour	red
Length	1285 mm
Identification	A6023165

Roof flashing ø 125

- malleable Al sheet, 18-44°

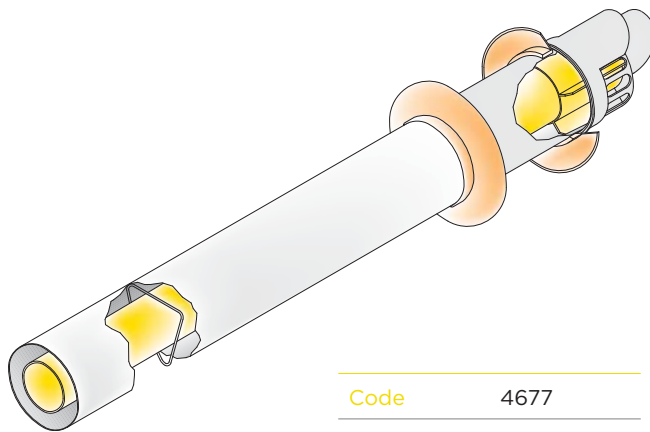
pitched

flat



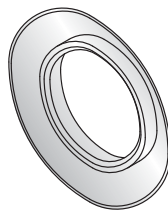
Code	Colour	Identification	Type
8014	black	A5025036	pitched
10489	red	A6025036	pitched
363	black	A5025001	flat

Horizontal flue terminal ø 60/100 - plastic end



Code	4677
Length	853 mm
Identification	A2008004

Outer wall collar ø 100



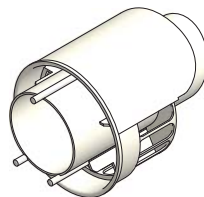
Code	1184
Identification	A1015358

Inner wall collar ø 100



Code	1081
Identification	A1015356

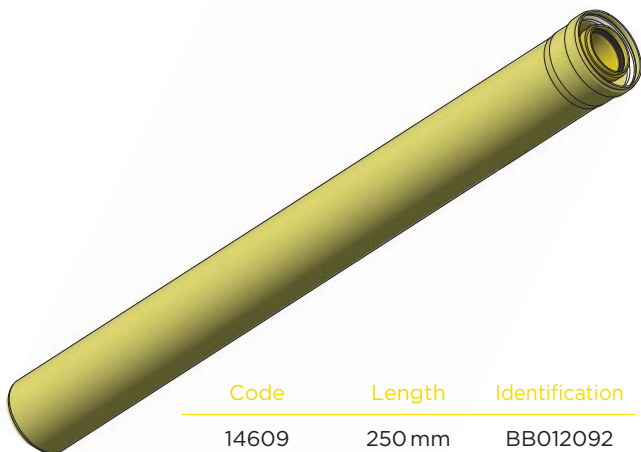
Intake/exhaust terminal end ø 60/100



Code	14692
Identification	BB002021

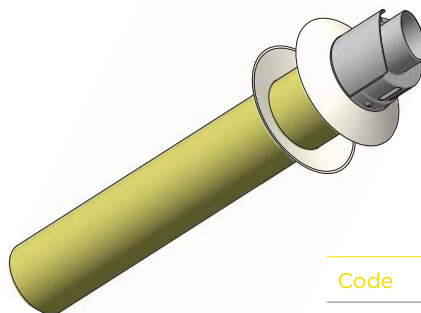
Components ø 60/100, PP/PP

Extension ø 60/100 PP/PP, UV resistant



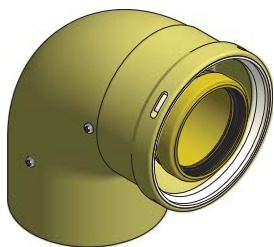
Code	Length	Identification
14609	250 mm	BB012092
14610	500 mm	BB012093
14611	1000 mm	BB012094
14612	2000 mm	BB012105

Horizontal flue terminal ø 60/100 PP/PP, UV resistant - plastic end



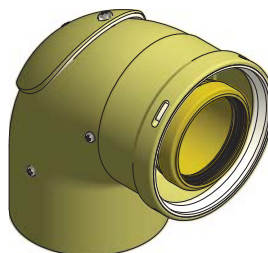
Code	14613
Length	850 mm
Identification	BB012106

90° elbow ø 60/100 PP/PP, UV resistant



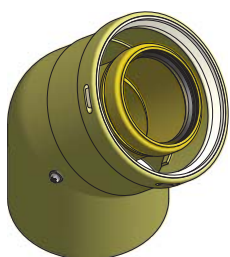
Code	14608
Identification	BB012095

90° elbow ø 60/100 PP/PP, inspection hole, UV resistant



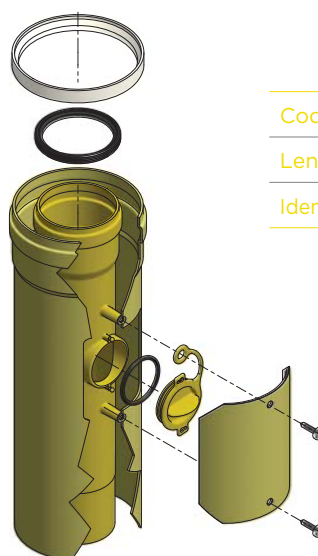
Code	14615
Identification	BB012099

45° elbow ø 60/100 PP/PP, UV resistant



Code	14607
Identification	BB012097

Flue section ø 60/100 PP/PP with inspection hole

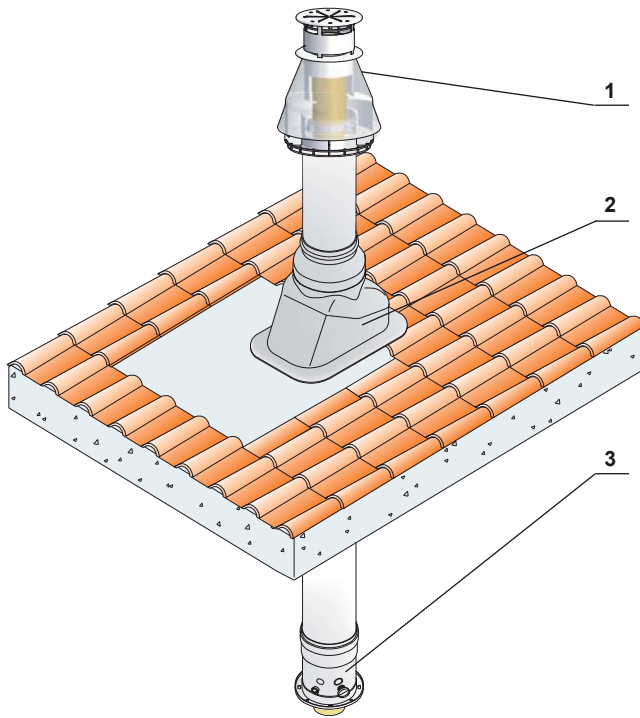


Code	14616
Length	310 mm
Identification	BB012100

Flue pipes \varnothing 80/125

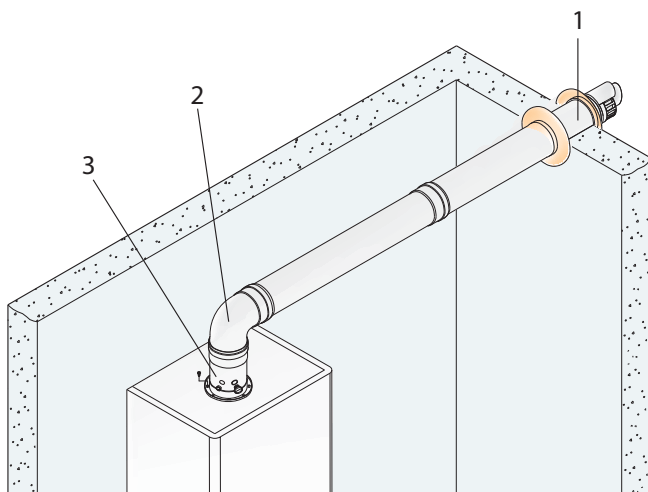
Installation example

Vertical flue terminal



1 - 11255 A5023166	Flue end \varnothing 80/125 - PP
2 - 8014 A5025036	Pitched roof flashing - aluminium sheet
3 - 4678 A2006010	Flange \varnothing 60/100 to 80/125 - PP, tap holes

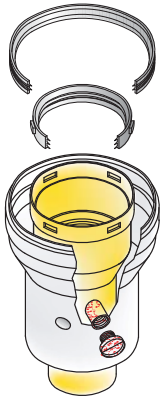
Horizontal flue terminal



1 - 7003 A2010012	Horizontal flue terminal \varnothing 80/125 - PP/iron sheet - plastic end
2 - 4676 A2006105	90° elbow \varnothing 80/125 - PP/iron sheet
3 - 7468 A2006025	Flange \varnothing 80/105 to \varnothing 80/125 tap holes

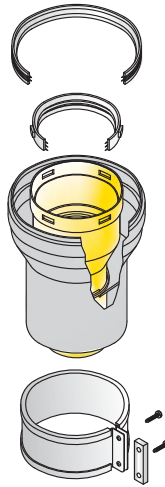
Components ø80/125, PP/iron sheet

Boiler adapter with tap holes 60/100 to 80/125



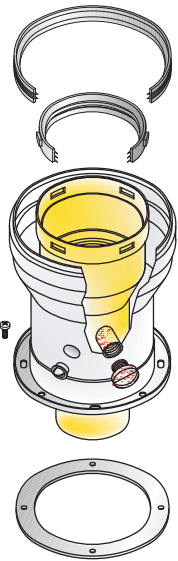
Code	7806
Length	120 mm
Identification	A2006069

Boiler adapter with sleeve 60/100 to 80/125



Code	7808
Length	154 mm
Identification	A2006070

Flange with tap holes



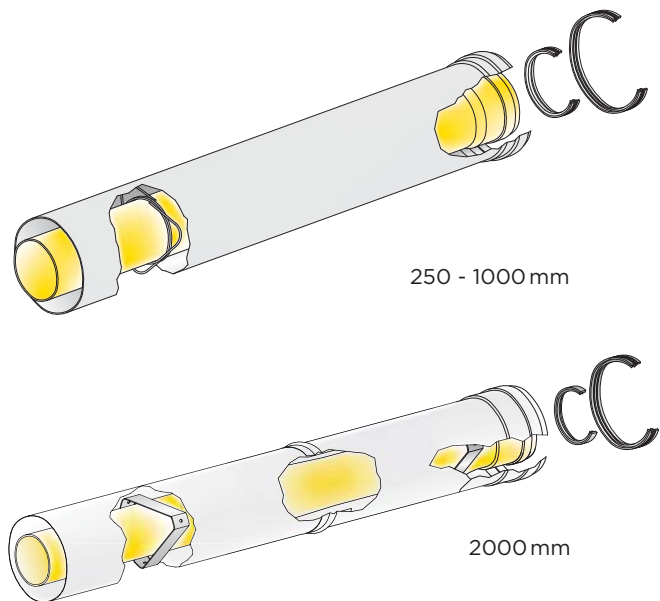
Diameter 60/100 to 80/125

Code	4678
Length	110,5 mm
Identification	A2006010

Diameter 80/105 to 80/125

Code	7468
Length	110,5 mm
Identification	A2006025

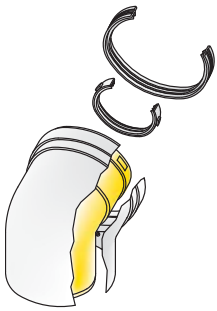
Extension ø 80/125



Code	Length	Identification
9598	250 mm	A2010038
4675	500 mm	A2010057
7004	1000 mm	A2010058
8513	1930 mm	A2010041

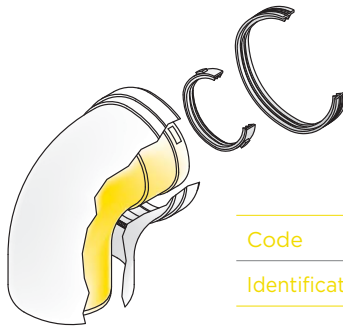
Components ø80/125, PP/iron sheet

45° elbow ø 80/125



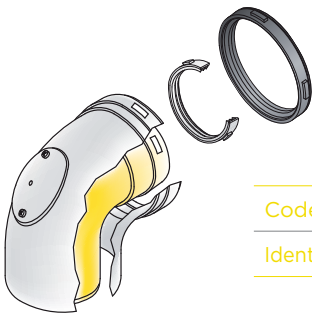
Code	6432
Identification	A2010068

90° elbow ø 80/125



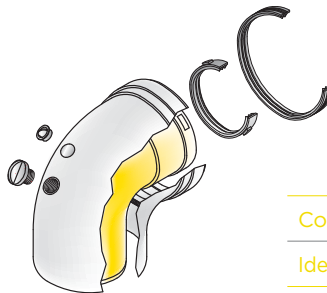
Code	4676
Identification	A2010067

90° elbow ø 80/125 with inspection hole



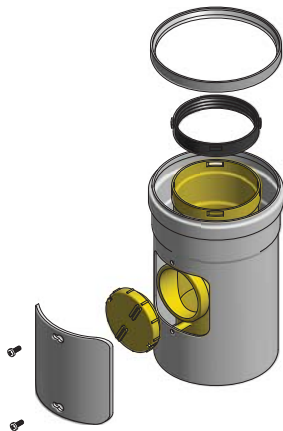
Code	7648
Identification	A2010069

90° elbow ø 80/125 in die cast aluminium, with tap holes



Code	7649
Identification	A2006108

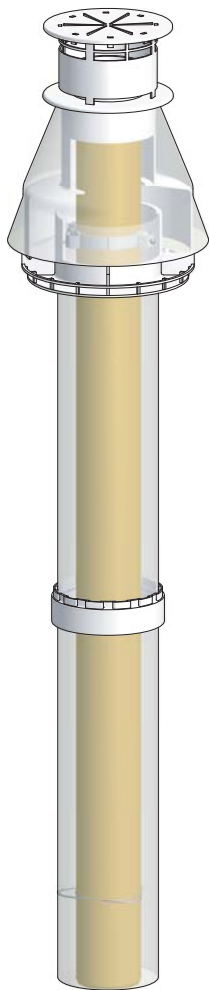
Adapter ø 80/125, with inspection door



Code	11265
Length	210 mm
Identification	A2006086

Components ø80/125, PP/iron sheet

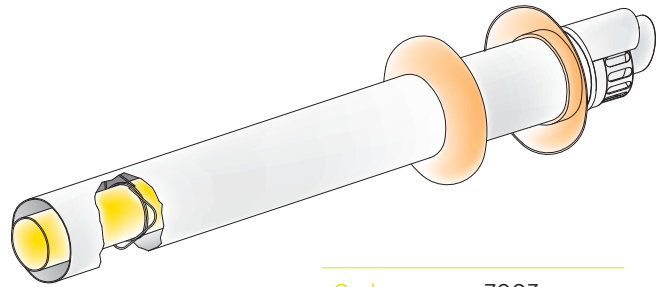
Flue end ø80/125



Code	11255
Colour	black
Length	1203,5 mm
Identification	A5023166

Code	11256
Colour	red
Length	1203,5 mm
Identification	A6023166

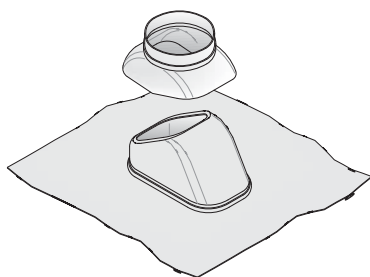
Horizontal flue terminal ø 80/125 - plastic end



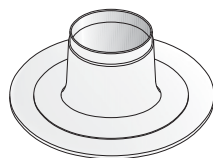
Code	7003
Length	900 mm
Identification	A2010012

Roof flashing ø 125

- malleable aluminium sheet, 18-44°
pitched



flat



Outer and inner wall collar ø 125

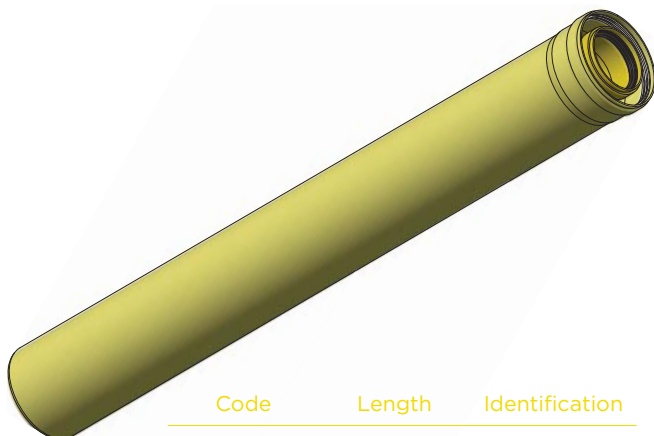


Code	3776
Identification	A1018112

Code	Colour	Identification	Type
8014	black	A5025036	pitched
10489	red	A6025036	pitched
363	black	A5025001	flat

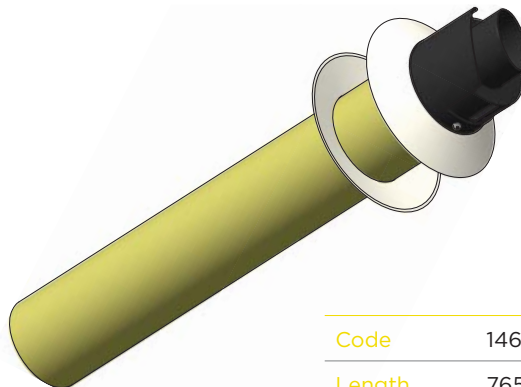
Components ø 80/125, PP/PP

Extension ø 80/125 PP/PP, UV resistant



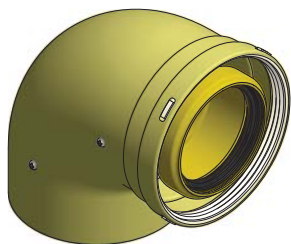
Code	Length	Identification
14661	500 mm	BB013039
14662	1000 mm	BB013040
14663	2000 mm	BB013041

Horizontal flue terminal ø 80/125 PP/PP, UV resistant - plastic end



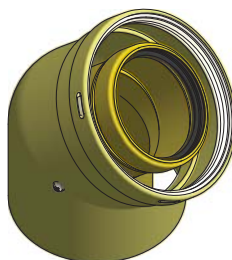
Code	14666
Length	765 mm
Identification	BB013042

90° elbow ø 80/125 PP/PP



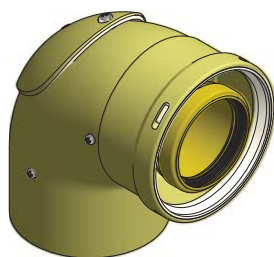
Code	14665
Identification	BB013045

45° elbow ø 80/125 PP/PP



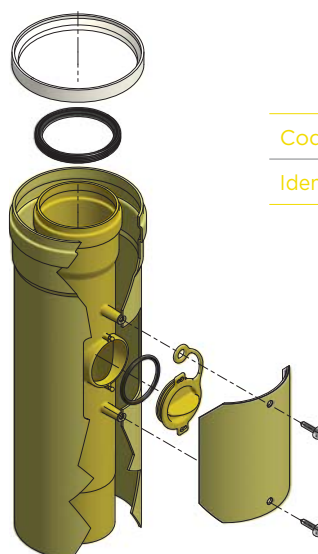
Code	14664
Identification	BB013071

80/125 90° elbow with inspection door, PP/PP



Code	17008
Identification	BB013043

80/125 mm adapter with inspection door, PP/PP



Code	17007
Identification	BB013046

RegulusFLEX

ø 60/100

ø 80/125

ø 60

ø 80

ø 100

ø 125

Boiler series ø 125

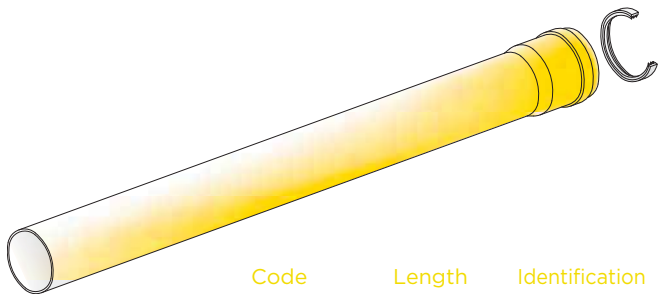
Boiler series ø 160

Accessories

Flue pipes ø 60

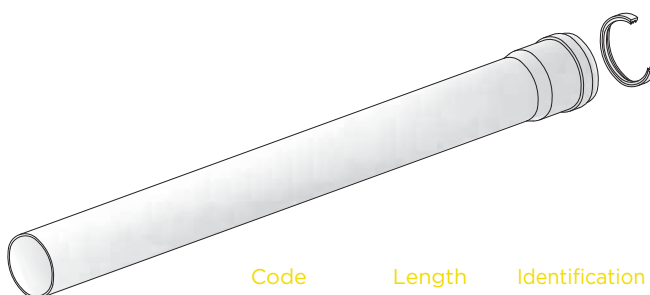
Components ø60 PP

Extension ø60



Code	Length	Identification
8813	500 mm	BB004039
8814	1000 mm	BB004037
11251	2000 mm	BB004034

Extension ø 60 UV resistant, black



Code	Length	Identification
14561	500 mm	BN004039
14562	1000 mm	BB004037
14563	2000 mm	BB004034

45° elbow ø 60



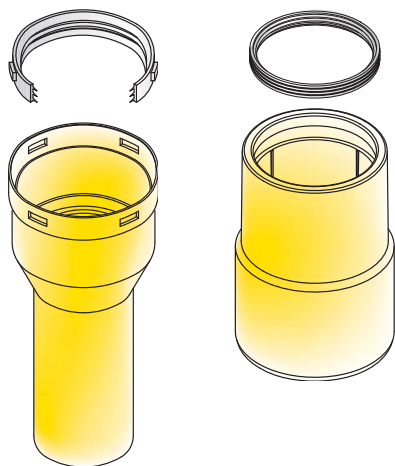
Code	8816
Identification	BB004025

90° elbow ø 60



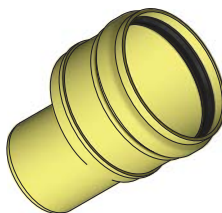
Code	8815
Identification	BB004024

Adapter



Code	Length	Diameters	Identification
7943	134 mm	60M/80F	BB011012
7470	115 mm	80M/60F	BB011084

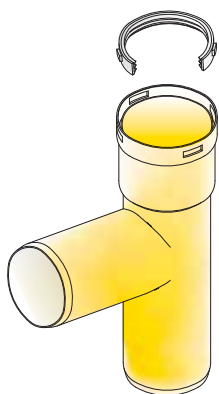
Adapter, ø 60/80 M/F, eccentric, for horizontal installation



Code	16023
Identification	BB011519

Components ø60 PP

Chimney T-piece ø 60



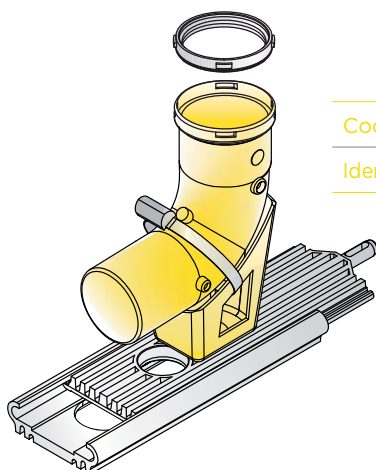
Code	8807
Length	205 m
Identification	BB004007

Plug for T-piece ø 60 with condensate trap



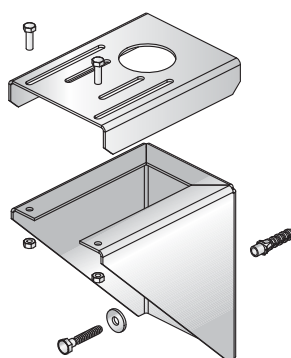
Code	8811
Identification	BB004010

90° elbow ø 60, incl. chimney support bracket



Code	12108
Identification	A1012091

Chimney support bracket for T-piece



Code	8202
Identification	A5012034

Chimney spacer, for rigid pipes only



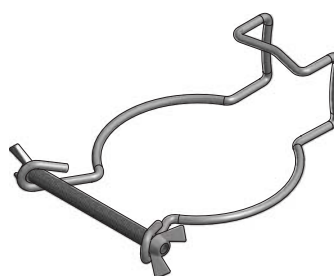
Code	15418
Identification	BN004187

Chimney Cowl, with chimney plate (35x35 cm), incl. locking band, for rigid pipes



Code	16127
Identification	A5025063

Locking band, wire, for chimney

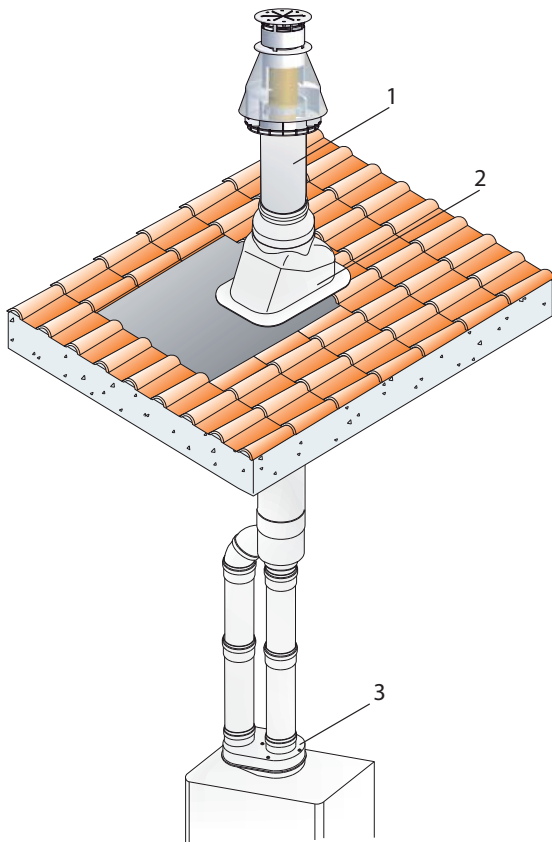


Code	15444
Identification	A1013314

Flue pipes \varnothing 80

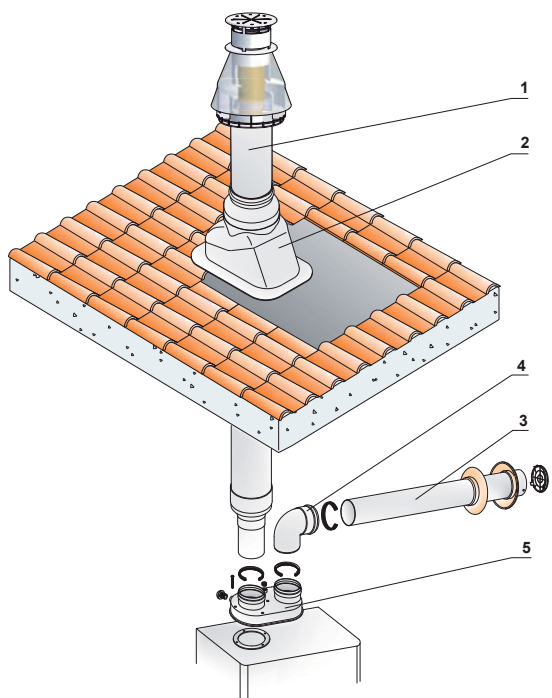
Installation example

Vertical flue terminal, intake through terminal end



1 - 11257 A5023167	Flue end \varnothing 125 mm, connection 2x \varnothing 80 mm
2 - 8014 A5025036	Pitched roof flashing - aluminium sheet
3 - 12109 BB011264	Twin flue adaptor \varnothing 80 with tap holes - PP, - connection \varnothing 60/100

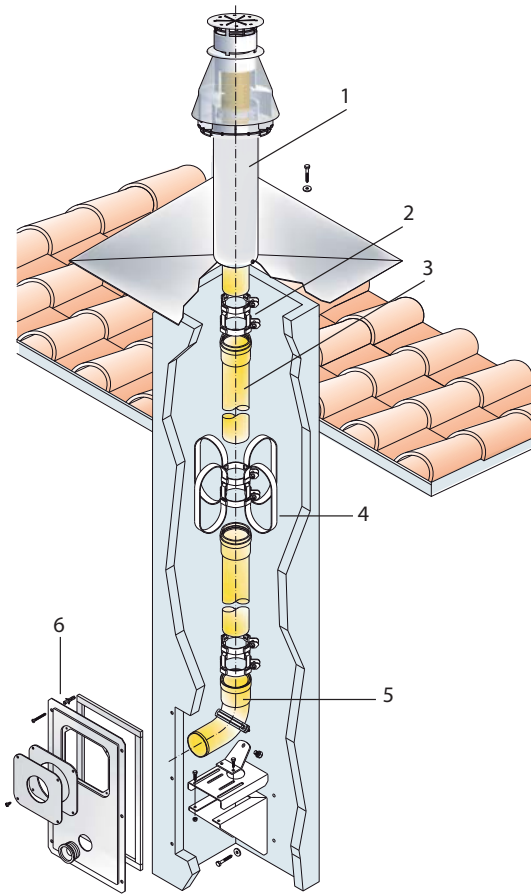
Vertical flue terminal, intake through wall



1 - 11258 A5023168	Flue end \varnothing 80 mm - for exhaust - PP
2 - 8014 A5025036	Pitched roof flashing - aluminium sheet
3 - 6435 BB011016	Flue pipe \varnothing 80, l=1000 mm, intake - PP
4 - 6143 BB011371	90° elbow \varnothing 80, PP
5 - 12109 BB011264	Twin flue adaptor \varnothing 80 with tap holes - PP, - connection \varnothing 60/100

Installation example

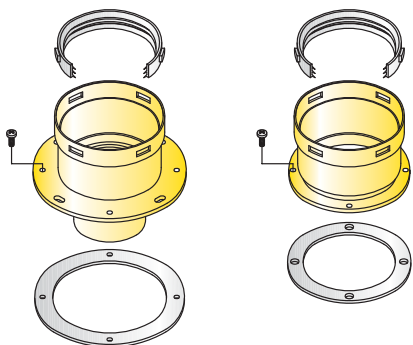
Vertical flue terminal (inside chimney), intake through wall



1 - 11259 A5023169	Flue terminal \varnothing 125 mm, connection \varnothing 80 mm with chimney plate
2 - 2189 A1012006	Flue clamp for chimney
3	Rigid or flexible extension
4 - 1961 - 7419	Chimney spacer for rigid extension for flexible extension
5 - 8201 A5012123	90° Chimney elbow + its support bracket
6 - 8753 A2012087	Chimney door - for \varnothing 80, 100, 125 mm

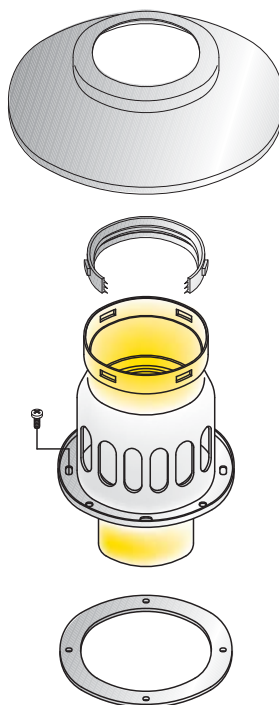
Components ø80 PP

Boiler flanges ø 80 (intake + exhaust) - kit



Code	6383
Length	56 mm
Identification	BB011053

Flange 60/100 to 80 exhaust, intake from indoors



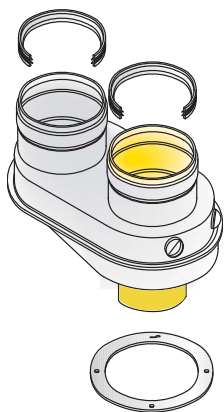
Code	7471
Length	109 mm
Identification	A2002044

Twin flue adapter (for boiler 80/125)



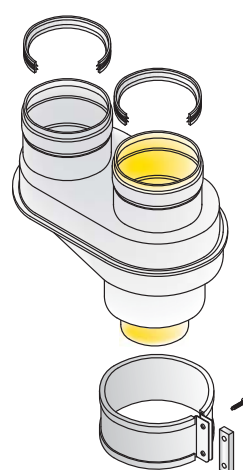
Code	12110
Length	141 mm
Identification	BB011486

Twin flue adapter with tap holes (for boiler 60/100)



Code	12109
Length	105,6 mm
Identification	BB011264

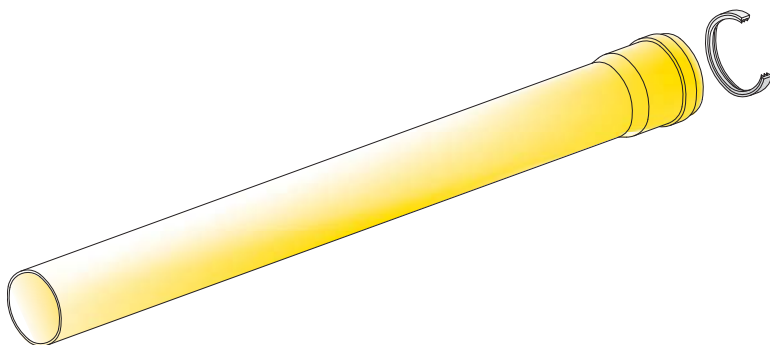
Twin flue adapter with sleeve (for boiler 60/100)



Code	12111
Length	141 mm
Identification	BB011266

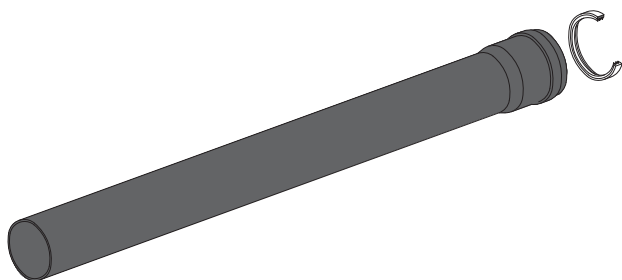
Components ø80 PP

Extension ø80



Code	Length	Identification
7469	109 mm	BB011136
9600	250 mm	BB011004
4666	500 mm	BB011005
6141	1000 mm	BB011006
7885	2000 mm	BB011061

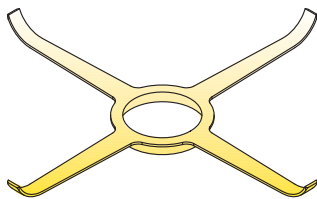
Extension ø 80, UV resistant



Code	Length	Identification
13902	500 mm	BN011005
13903	1000 mm	BN011006
13904	2000 mm	BN011061

Components ø80 PP

Chimney spacer - for flexible PP ducting only



For PP flexible pipes only

Code 7419

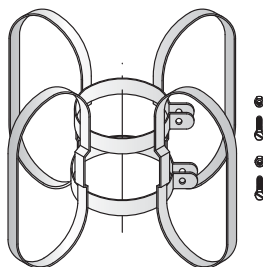
Identification BN011091

For PP rigid pipes only

Code 15419

Identification BN011385

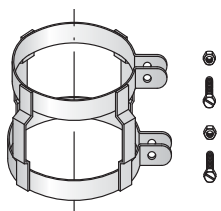
Chimney spacer in stainless steel



Code 1961

Identification A1012005

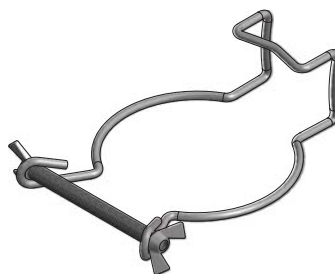
Locking band for chimney



Code 2189

Identification A1012006

Locking band, wire, for chimney



Code 15421

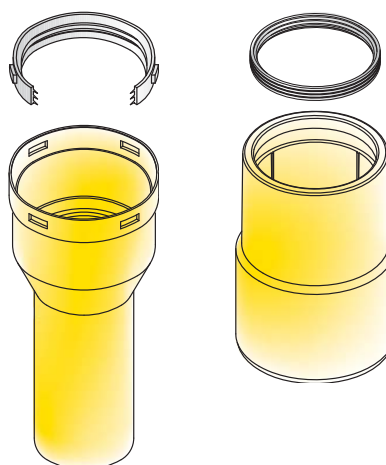
Identification A1011133

Eccentric adapter, for horizontal installation



Code	Diameters	Identification
16023	ø 60/80 M/F	BB011519
16034	ø 80/100 M/F	BB005195

Adapter



Code	Length	Diameters	Identification
7943	134 mm	60M/80F	BB011012
7470	115 mm	80M/60F	BB011084

Components ø80 PP

45° elbow ø 80



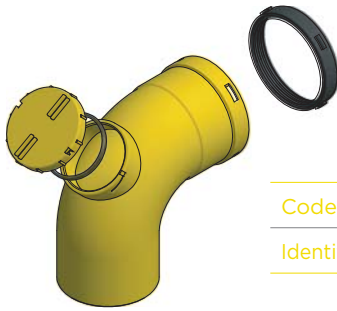
Code	6142
Identification	BB011372

90° elbow ø 80



Code	6143
Identification	BB011371

90° elbow ø 80, with inspection hole



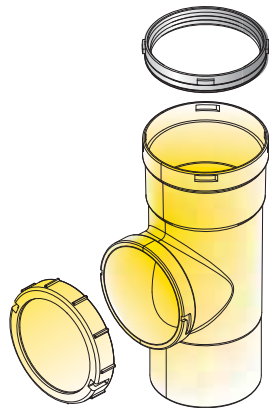
Code	12755
Identification	BB011374

90° elbow ø 80 with tap hole



Code	7652
Identification	BB011373

Adapter ø 80 with round inspection hole



Code	11511
Length	210 mm
Identification	BB011094

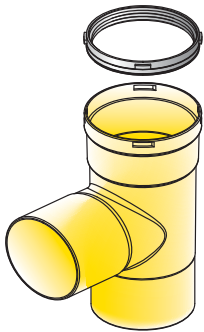
45° elbow ø 80 with inspection hole



Code	17385
Identification	BB011637

Components ø80 PP

Chimney T-piece ø 80



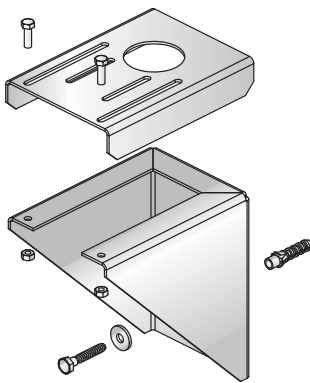
Code	7424
Length	210 m
Identification	BB011093

Plug for T-piece Ø 80 with condensate trap



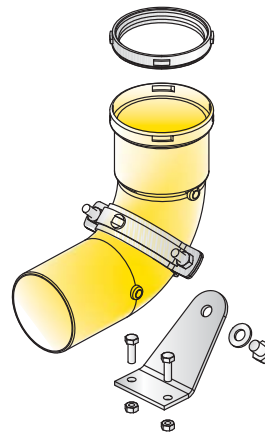
Code	7425
Identification	A1012064

Chimney support bracket for T-piece



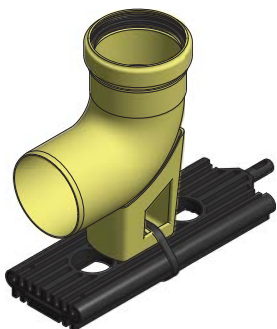
Code	8202
Identification	A5012034

Chimney elbow ø 80 + its support bracket

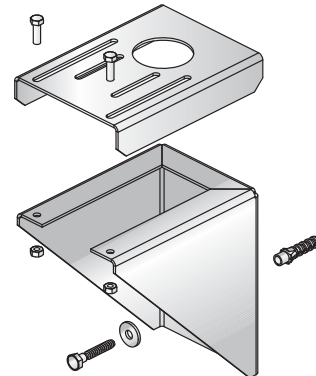


Code	8201
Identification	A5012123

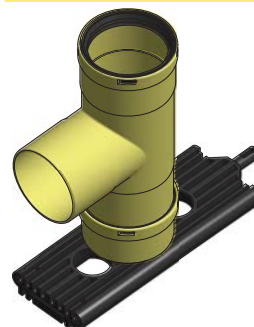
90° Chimney elbow ø 80, + its support bracket



Code	11954
Identification	A1012122



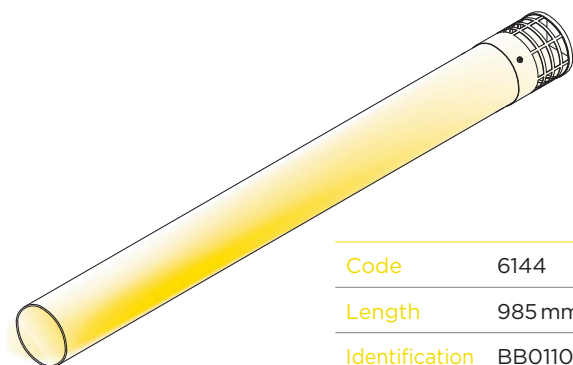
80 mm Chimney T-piece, incl. lid and support bracket



Code	11955
Identification	A1012097

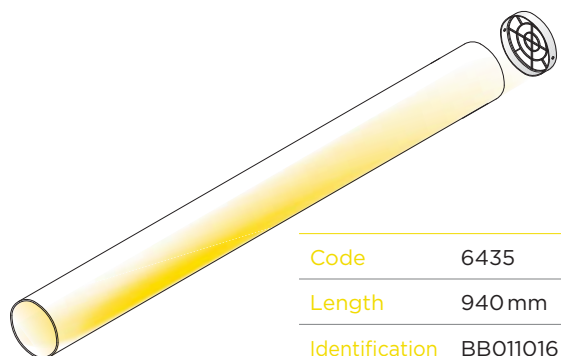
Components ø80 PP

Exhaust flue pipe ø 80



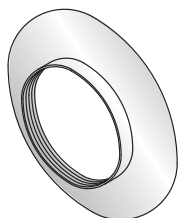
Code	6144
Length	985 mm
Identification	BB011017

Intake flue pipe ø 80



Code	6435
Length	940 mm
Identification	BB011016

Inner wall collar ø 80



Code	1020
Identification	A1011403

Outer wall collar ø 80



Code	1021
Identification	A1011408

RegulusFLEX

ø60/100

ø80/125

ø60

ø80

ø100

ø125

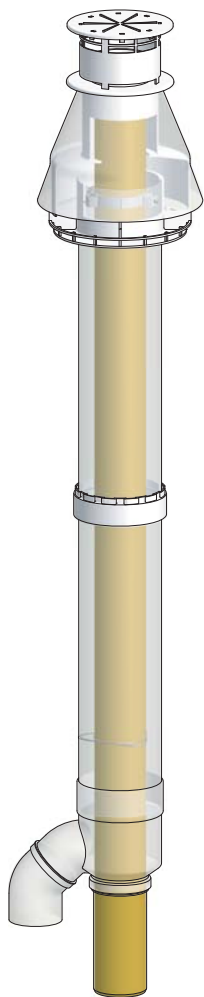
Boiler series ø125

Boiler series ø160

Accessories

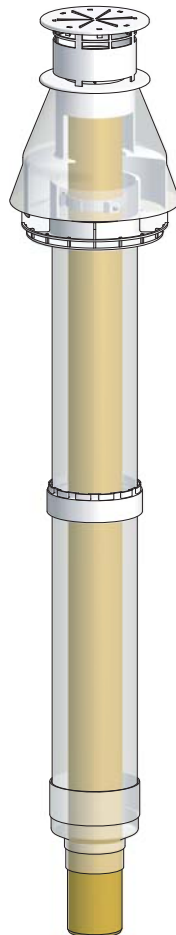
Components ø80 PP

Flue terminal 2x 80, 125 mm roof passage, black



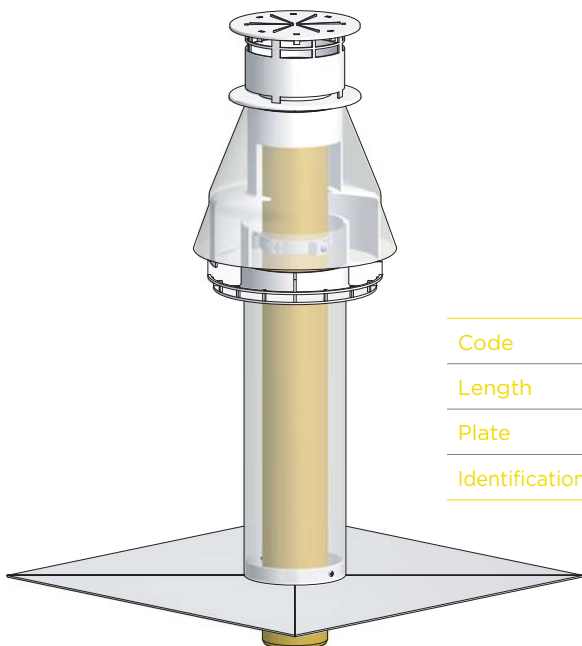
Code	11257
Length	1330 mm
Identification	A5023167

Flue terminal 1x 80, 125 mm roof passage, black



Code	11258
Length	1383 mm
Identification	A5023168

Exhaust flue terminal with chimney plate, black



Code	11259
Length	665,5 mm
Plate	500x500 mm
Identification	A5023169

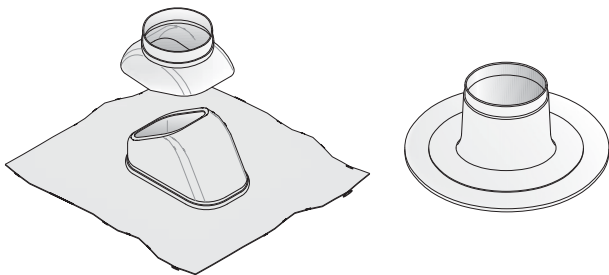
Components ø80 PP

Roof flashing ø 125

- malleable aluminium sheet, 18-44°

pitched

flat



Code	Colour	Identification	Type
8014	black	A5025036	pitched
10489	red	A6025036	pitched
363	black	A5025001	flat

Chimney Cowl, with chimney plate (35x35 cm), incl. locking band, for rigid pipes



Code	16128
Identification	A5025064

Termination flue pipe ø 80, UV resistant



Code	11302
Length	500 mm
Identification	PPRS58

Chimney termination



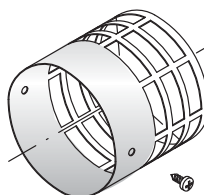
Code	8555
Identification	PPSAS8

Intake end in black ø 80-100



Code	12120
Identification	ZUAV52

Exhaust end ø 80 - in stainless steel



Code	4754
Identification	A1011154

Flue end ø 80 for flue terminal - exhaust only

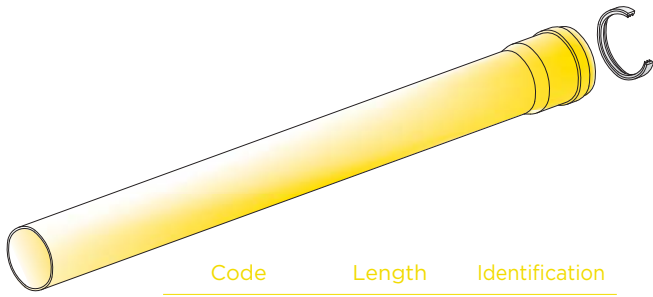


Code	14693
Identification	A5023138

Flue pipes ø 100

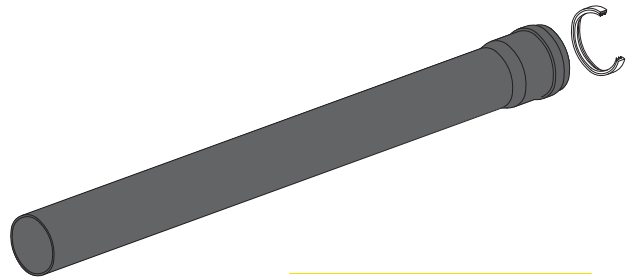
Components ø100 PP

Extension ø100



Code	Length	Identification
8211	500 mm	BB005019
8212	1000 m	BB005020

1m Extension, UV resistant



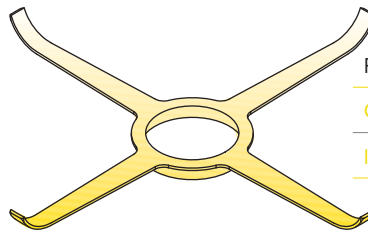
Code	15405
Identification	BN005020

Adapter ø 80 to ø 100



Code	8441
Length	120 mm
Identification	BB005029

Chimney spacer



For PP flexible pipes only

Code	7001
Identification	BN005024

For PP rigid pipes only

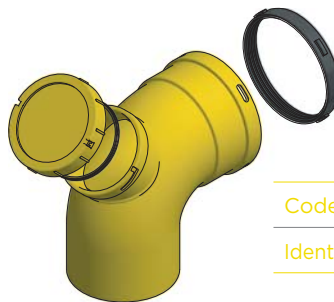
Code	15420
Identification	BN005143

Eccentric adapter, for horizontal installation



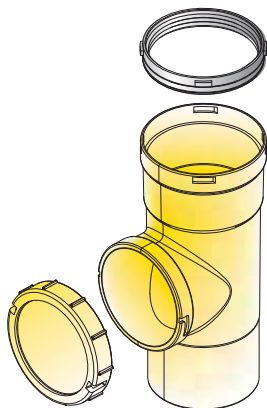
Code	Diameters	Identification
16034	ø 80/100 M/F	BB005195
16035	ø 100/125 M/F	BB015118

90° elbow ø 100 with inspection hole



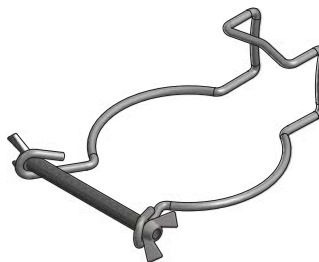
Code	12472
Identification	BB005073

Flue section ø 100 with round inspection hole



Code	14988
Length	250 mm
Identification	BB005129

Locking band, wire, for chimney



Code	15422
Identification	A1015294

Components ø100 PP

45° elbow ø 100



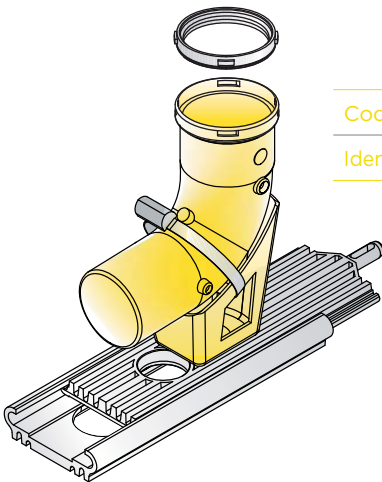
Code	8209
Identification	BB005017

90° elbow ø 100



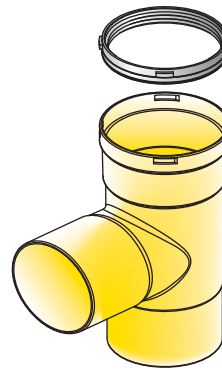
Code	8210
Identification	BB005190

90° chimney elbow ø 100, + its support bracket



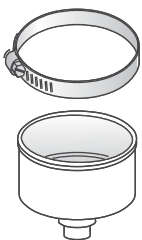
Code	12409
Identification	A1012093

Chimney T-piece ø 100



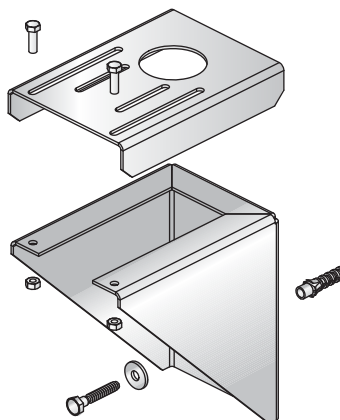
Code	8214
Length	210 mm
Identification	BB005022

Plug for T-piece Ø 100 with condensate drain



Code	7005
Identification	BB005077

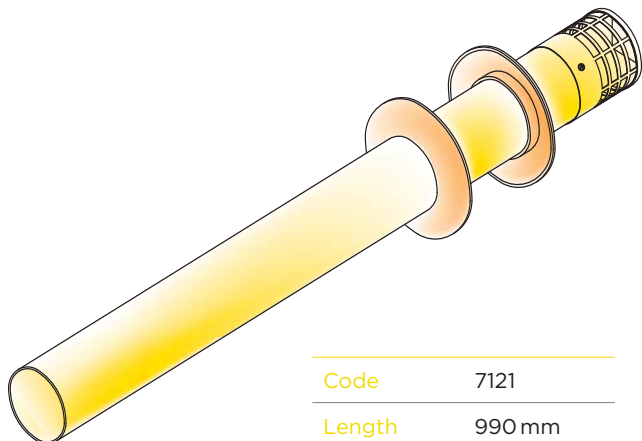
Chimney support bracket for T-piece



Code	8202
Identification	A5012034

Components ø100 PP

Horizontal flue terminal ø 100 - exhaust



Code	7121
Length	990 mm
Identification	BB005034

Flue terminal Ø 100 for exhaust,
directly on tile with opening



Code	12410
Length	723 mm
Identification	A5023177

Chimney Cowl, with chimney plate (35x35 cm),
incl. locking band, for rigid pipes

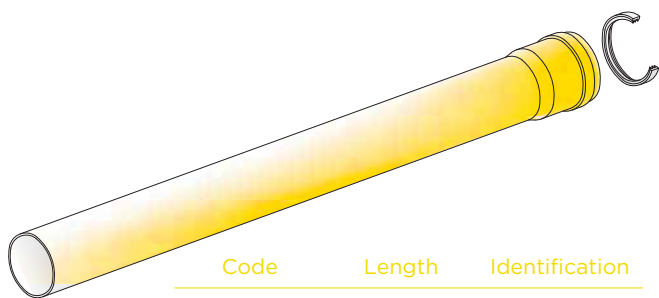


Code	16129
Identification	A5025065

Flue pipes ø 125 PP

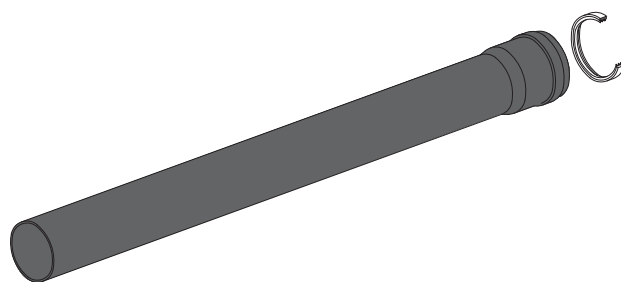
Components ø125 PP

Extension ø125



Code	Length	Identification
9683	500 mm	BB015005
9684	1000 mm	BB015001
14547	2000 mm	BB015014

1m Extension, UV resistant



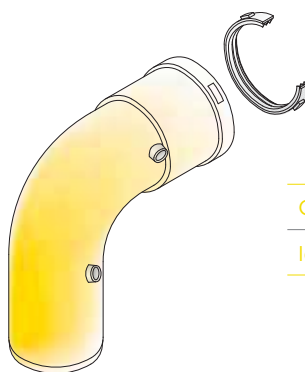
Code	15406
Identification	BN015001

45° elbow ø 125



Code	9672
Identification	BB015006

90° elbow ø 125



Code	9671
Identification	BB015000

Adapter ø 100 to ø 125



Code	14550
Length	120 mm
Identification	BB015032

Eccentric adapter, for horizontal installation



Code	Diameters	Identification
16035	ø 100/125 M/F	BB015118
16024	ø 125/160 M/F	BB016072

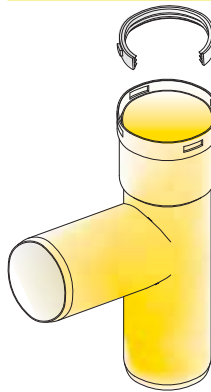
Components ø125 PP

90° elbow ø 125



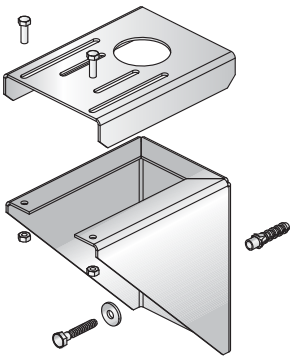
Code	14553
Identification	BB015037

Chimney T-piece ø 125



Code	14548
Length	245 m
Identification	BB015018

Chimney support bracket for T-piece



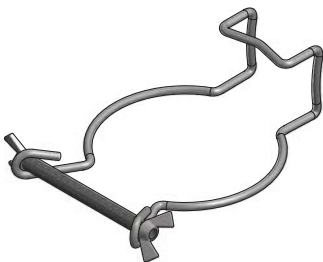
Code	8202
Identification	A5012034

Plug for T-piece Ø 125 with condensate drain



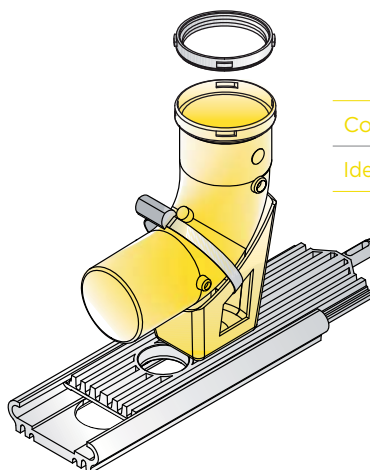
Code	14574
Identification	BB015041

Locking band, wire, for chimney



Code	15423
Identification	A1018086

90° Chimney elbow Ø 125 + its support bracket



Code	14546
Identification	A1012094

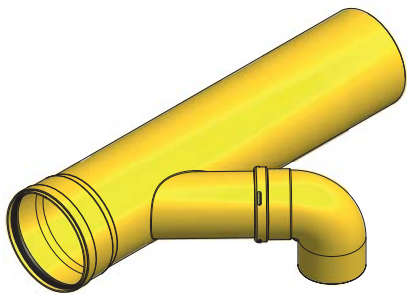
Chimney Cowl, with chimney plate (35x35 cm), incl. locking band, for rigid pipes



Code	16130
Identification	A5025066

Components for boiler cascades ø125 PP

Extension ø 125 for boiler cascades, with 45° wye and elbow



Code	9675
Length	670 mm
Identification	BB01510

Flue section ø 80/100 for boiler cascades, with back-flow preventer



Code	9682
Identification	BB005065

Lid ø 125 for condensate drain + plug



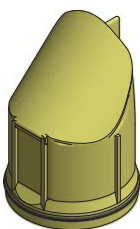
Code	10218
Identification	BB015015

Condensate trap with ball and hose, angled



Code	9689
Identification	B1003070

80 mm Non return flap, for boiler cascades

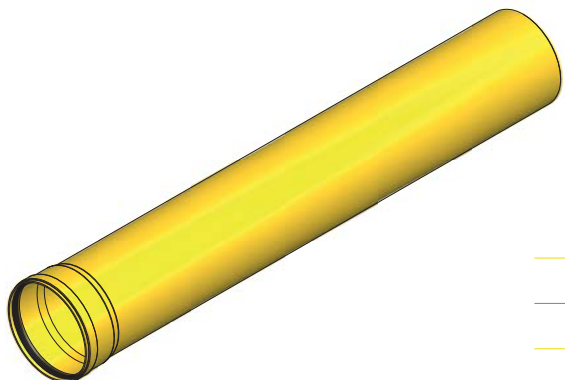


Code	14567
Identification	BB011377

RegulusFLEX
 ø60/100
 ø80/125
 ø60
 ø80
 ø100
 ø125
 Boiler series ø125
 Boiler series ø160
 Accessories

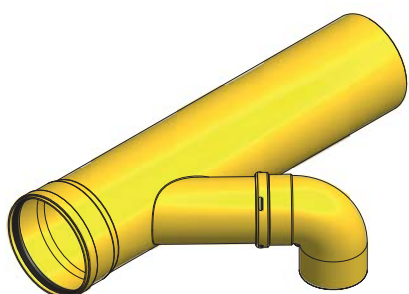
Components for boiler cascades ø 160 PP

Extension ø160



Code	Length	Identification
9685	500 mm	BB016005
9686	1000 mm	BB016001

Extension ø 160 for boiler cascades, with 45° wye and elbow



Code	9676
Length	670 mm
Identification	BB016009

Flue section ø 80/100 for boiler cascades, with back-flow preventer



Code	9682
Identification	BB005065

Components for boiler cascades ø160 PP

45° elbow ø 160



Code	9674
Identification	BB016018

90° elbow ø 160



Code	9673
Identification	BB016017

Eccentric adapter, for horizontal installation



Code	16024
Identification	BB016072

Condensate trap with ball and hose, angled



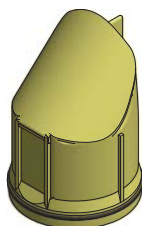
Code	9689
Identification	B1003070

Lid ø 160 for condensate drain + plug



Code	10219
Identification	BB016020

80 mm Non return flap, for boiler cascades



Code	14567
Identification	BB011377

RegulusFLEX

ø 60/100

ø 80/125

ø 60

ø 80

ø 100

ø 125

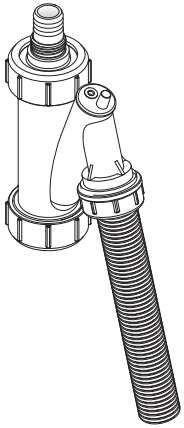
Boiler series ø125

Boiler series ø160

Accessories

Accessories

Condensate trap with ball and hose



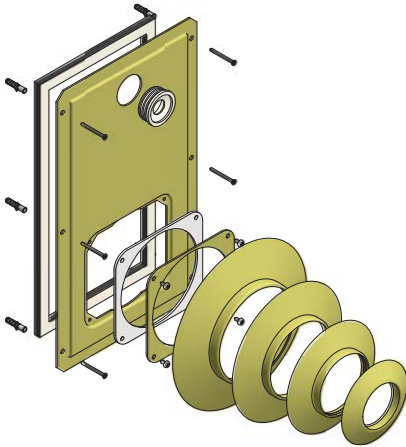
Code	6123
Identification	B1003057

Silicone paste 250 g



Code	10280
Identification	SCIVTU0250

Chimney door ø 60,80,100,125



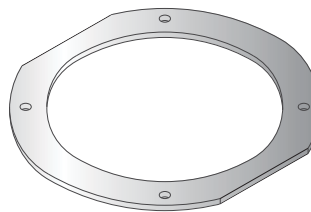
Code	15849
Identification	A2012233

Boiler flange ø 100 enlarged, in NYLON, separate



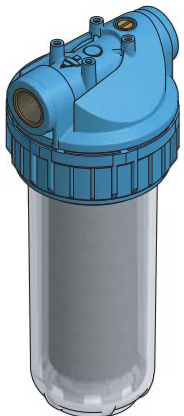
Code	8459
Identification	BB005035

Gasket ø 100 under plastic flange



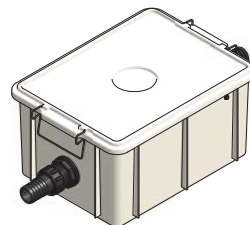
Code	10067
Identification	GNE10011

Filter



Code	
13899	Neutralization filter
13898	Replacement cartridge

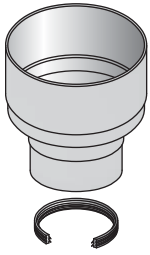
Condensate Neutralization Box, incl. filling



Code	
14432	Box alone
14506	Box with condensate discharge pump

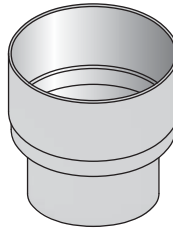
Spare parts

Flue terminal adapter 125/80



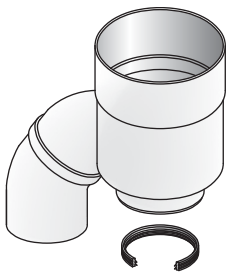
Code	4113
Identification	A5025004

Flue terminal adapter 125/100



Code	3137
Identification	A5025005

Flue terminal adapter 125/2x 80



Code	3136
Identification	A5025006

RegulusFLEX

ø60/100

ø80/125

ø60

ø80

ø100

ø125

Boiler series ø125

Boiler series ø160

Accessories

Sealing O-rings

Gasket for RegulusFLEX flexible flue piping



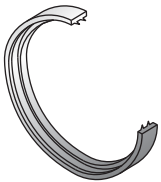
Code	Diameter	Identification
15951	60	A1013355
15952	80	A1011192
15953	100	A1015322
15954	125	A1018098

Sealing O-ring with one lip



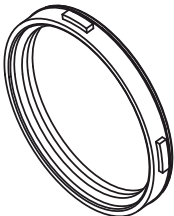
Code	Diameter	Colour	Identification	Note
13047	80	black	A10111057	

Sealing O-ring with two lips



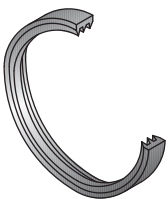
Code	Diameter	Colour	Identification	Note
9058	60	black	A1013251	for flexible ø 60
9616	100	black	A1015059	for flexible ø100
6434	100	grey	A1015165	for intake 60/100
14604	125	black	A1018063	
6462	125	grey	A1018041	for intake 80/125
12778	160	black	9.MGN16001	for BB016001

Sealing O-ring with two lips and protrusions



Code	Diameter	Colour	Identification	Note
10601	125	white	A1018071	for intake 80/125

Sealing O-ring with three lips



Code	Diameter	Colour	Identification	Note
4671	60	black	A1013020	
7449	80	black	A1011883	also for flexible ø 80

Sealing O-ring with three lips and protrusions

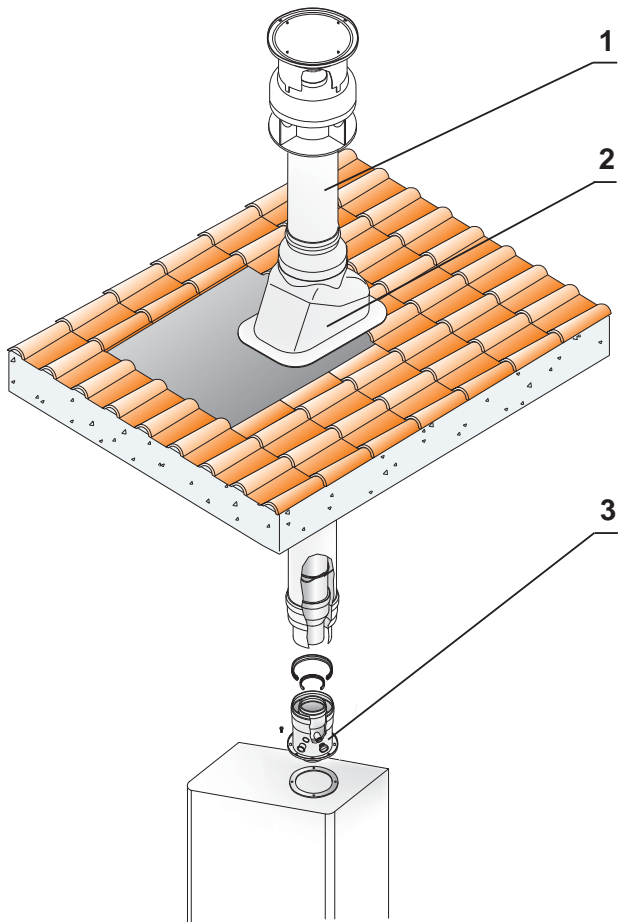


Code	Diameter	Colour	Identification	Note
4672	60	black	A1013184	
4668	80	black	A1011500	
9615	100	black	A1015208	
14605	125	black	A1018064	

Flue pipes \varnothing 60/100

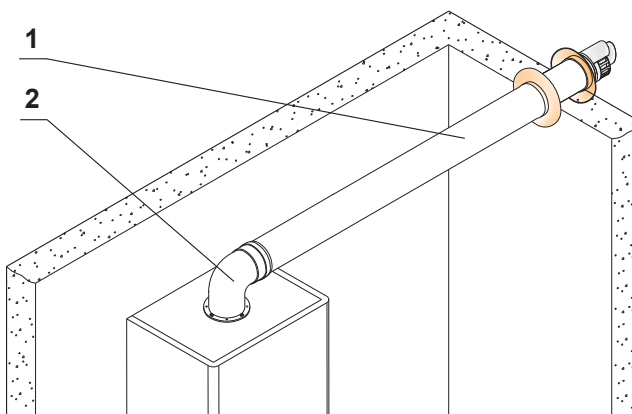
Installation example

Vertical flue terminal, intake through terminal end



1 - 305 A5021000	Flue end \varnothing 60/100
2 - 8014 A5205036	Pitched roof flashing - aluminium sheet
3 - 8460 A2001113	Flange \varnothing 60/100 with tap holes and condensate drain, rotating, enlarged

Horizontal flue terminal, intake through wall



1 - 8223 A20011107	Horizontal flue terminal \varnothing 60/100 iron sheet, conical end
2 - 8515 A20011114	90° flanged elbow \varnothing 60/100

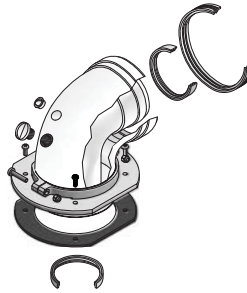
Components ø 60/100

90° flanged elbow ø 60/100 with tap holes



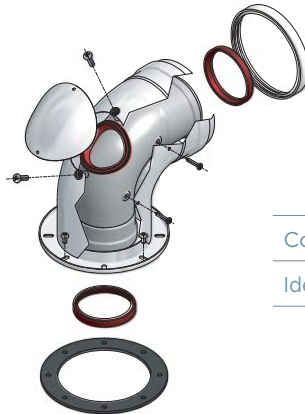
Code	7486
Identification	A2001879

90° elbow ø 60/100
with enlarged plastic flange and tap holes



Code	8515
Identification	A20011114

90° elbow ø 60/100
with enlarged flange and inspection hole



Code	14311
Identification	A2007065

ø 60/100

ø 80/125

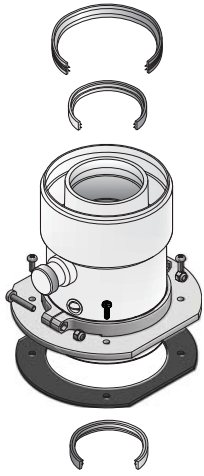
ø 80

ø 100

Accessories

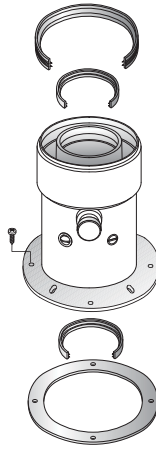
Components ø 60/100

Flange ø 60/100 with tap holes and condensate drain, rotating, enlarged



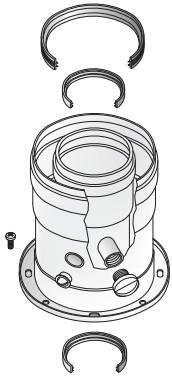
Code	8460
Length	150,6 mm
Identification	A20011113

Flange ø 60/100 with tap holes and condensate drain, enlarged



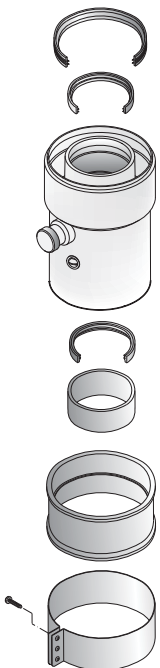
Code	8224
Length	151,6 mm
Identification	A20011097

Flange ø 60/100 with tap holes



Code	1057
Length	120 mm
Identification	A2001755

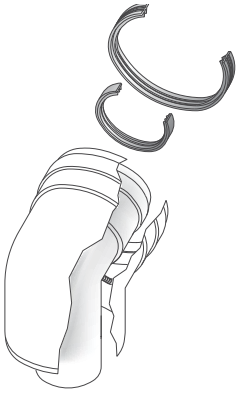
Boiler adapter ø 60/100, 1 sleeve, tap holes, condensate drain, slip-on type



Code	8225
Length	150 mm
Identification	A20011127

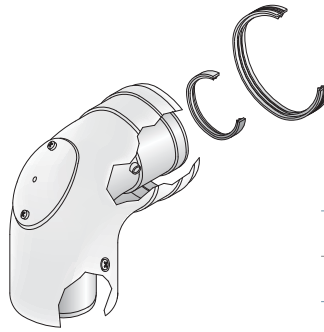
Components ø 60/100

45° elbow ø 60/100



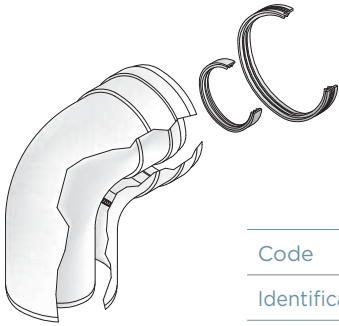
Code	9092
Identification	A20011289

90° elbow ø 60/100, with inspection hole



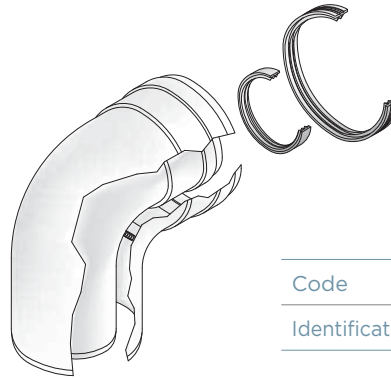
Code	8431
Identification	A2001839

90° elbow ø 60/100



Code	2078
Identification	A2001844

90° elbow ø 60/100



Code	7478
Identification	A2001699

ø 60/100

ø 80/125

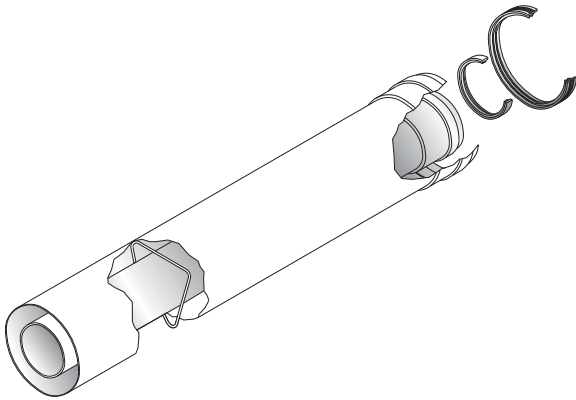
ø 80

ø 100

Accessories

Components ø 60/100

Extension ø 60/100



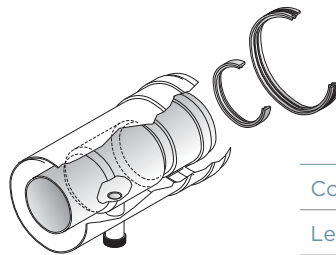
Code	Length	Identification	Material
9594	250 mm	A2007000	Al/iron sheet
4116	500 mm	A2001113	Al/Al
1888	500 mm	A2007001	Al/iron sheet
4115	1000 mm	A2001114	Al/Al
7636	1000 mm	A2007002	Al/iron sheet

Flue section ø 60/100 for condensate drain, vertical



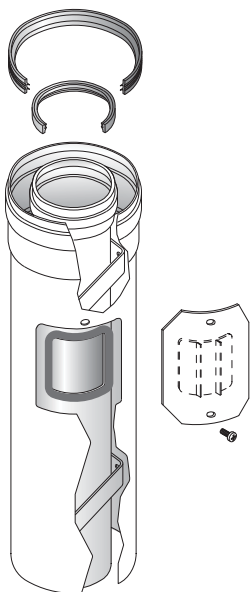
Code	4663
Length	150 mm
Identification	A2001244

Flue section ø 60/100 for condensate drain, horizontal



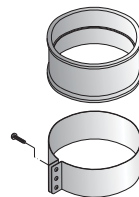
Code	5429
Length	175 mm
Identification	A2001142

Flue section ø 60/100 with inspection hole



Code	8433
Length	330 mm
Identification	A2001609

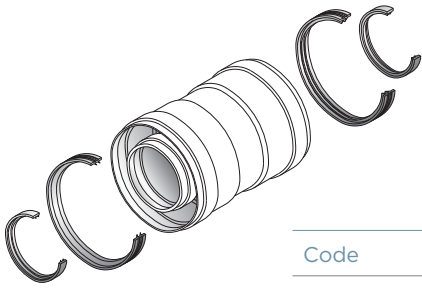
Locking band ø 100 with sleeve



Code	5911
Identification	A2007002

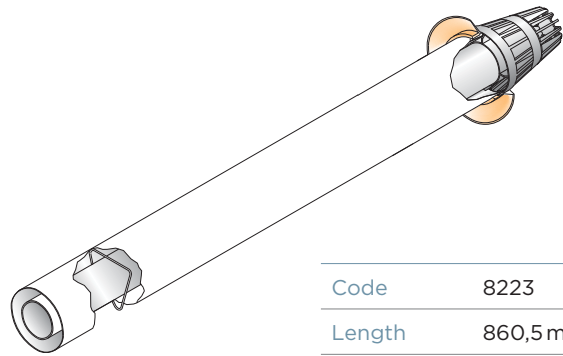
Components $\varnothing 60/100$

Coupling $\varnothing 60/100$



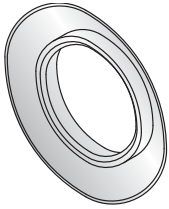
Code	2161
Length	135 mm
Identification	A2001122

Horizontal flue terminal $\varnothing 100$, conical end



Code	8223
Length	860,5 mm
Identification	A20011107

Outer wall collar $\varnothing 100$



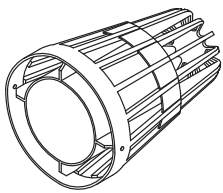
Code	1184
Identification	A1015358

Inner wall collar $\varnothing 100$



Code	1081
Identification	A1015356

Conical flue end $\varnothing 100$ intake/exhaust



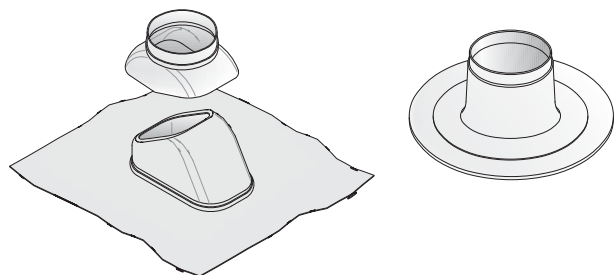
Code	3217
Identification	A1001504

Roof flashing $\varnothing 125$

- malleable aluminium sheet, 18-44°

pitched

flat



Code	Colour	Identification	Type
8014	black	A5025036	pitched
10489	red	A6025036	pitched
363	black	A5025001	flat

$\varnothing 60/100$

$\varnothing 80/125$

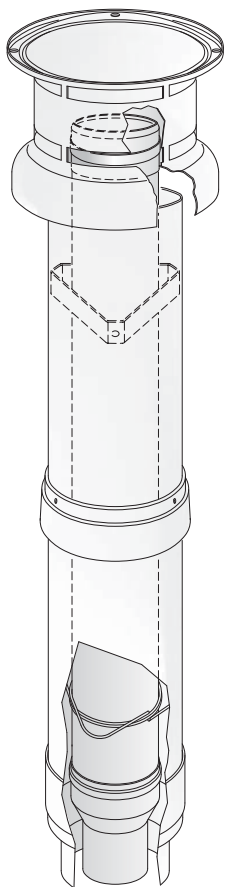
$\varnothing 80$

$\varnothing 100$

Accessories

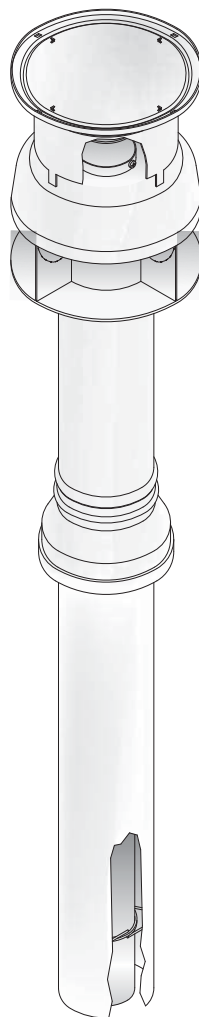
Components $\varnothing 60/100$

Flue terminal in black $\varnothing 80/125$
with adapter to $\varnothing 60/100$



Code	305
Length	1143 mm
Identification	A5021000

Flue terminal $\varnothing 60/100$ directly
on tile with opening, in black

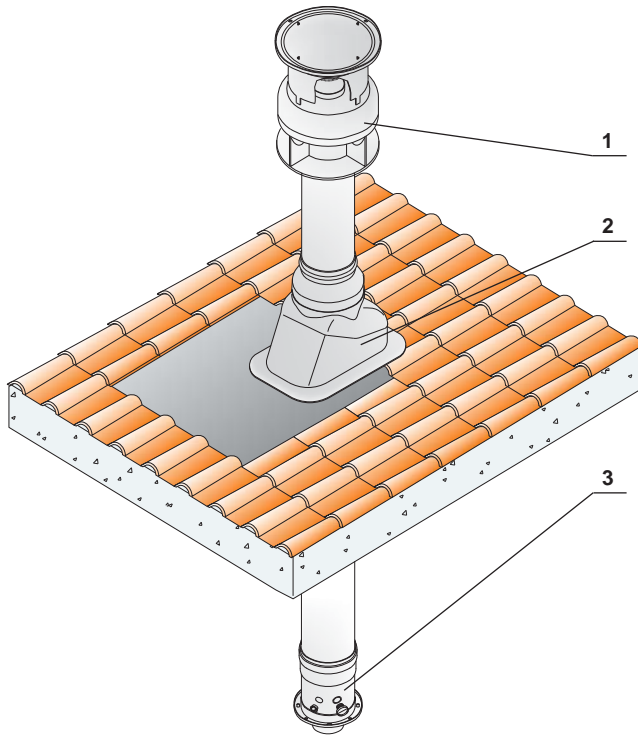


Code	5752
Length	1000 mm
Identification	A5023061

Flue pipes \varnothing 80/125

Installation example

Vertical flue terminal, intake through terminal end



1 - 175 A5021001	Flue terminal \varnothing 80/125
2 - 8014 A5025002	Pitched roof flashing - aluminium sheet
3 - 6006 A2005006	Flange \varnothing 60/100 to 80/125 with condensate drain and tap holes

\varnothing 60/100

\varnothing 80/125

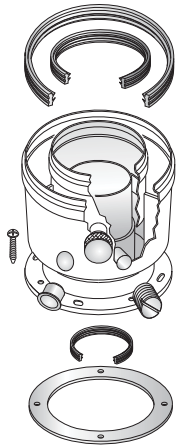
\varnothing 80

\varnothing 100

Accessories

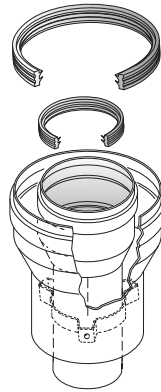
Components ø 80/125

Flange ø 80/125
with condensate drain and tap holes



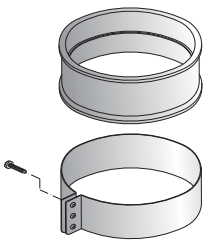
Code	6006
Length	141mm
Identification	A2009070

Adapter ø 60/100 to ø 80/125



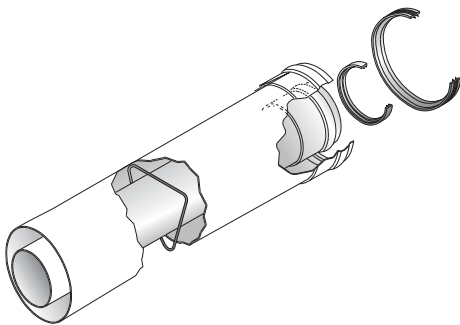
Code	6009
Length	170mm
Identification	A2005037

Locking band with sleeve



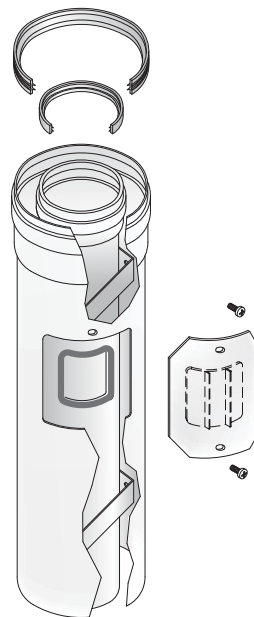
Code	Diameter	Identification
5911	ø100	A2007002
995	ø125	A2018010

Extension ø 80/125



Code	Length	Identification
7002	500 mm	A2009017
1698	1000 mm	A2009018

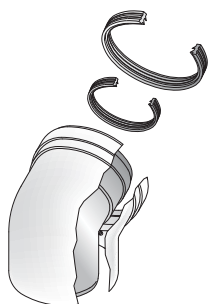
Adapter ø 80/125 with inspection hole



Code	8434
Length	310mm
Identification	A2005149

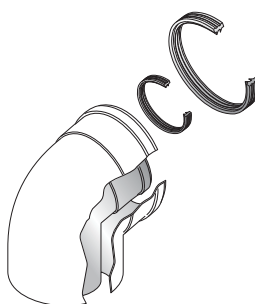
Components \varnothing 80/125

45° elbow \varnothing 80/125



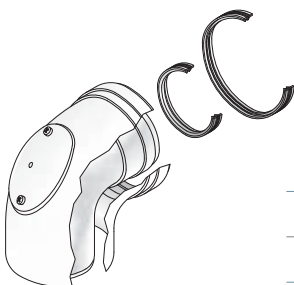
Code	6007
Identification	A2005019

90° elbow \varnothing 80/125



Code	5583
Identification	A2005018

90° elbow \varnothing 80/125, with inspection hole



Code	8432
Identification	A2005120

\varnothing 60/100

\varnothing 80/125

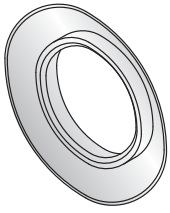
\varnothing 80

\varnothing 100

Accessories

Components ø 80/125

Wall collar ø 125 both inner and outer



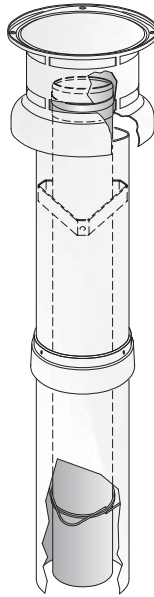
Code	3776
Identification	A1018112

Flue terminal ø 80/125 anti-condensation type, in black



Code	11795
Length	1203,5 mm
Identification	A5023183

Flue terminal ø 80/125 in black



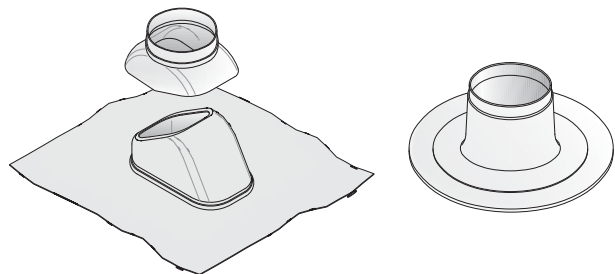
Code	175
Length	1063 mm
Identification	A5021001

Roof flashing ø 125

- malleable aluminium sheet, 18-44°

pitched

flat

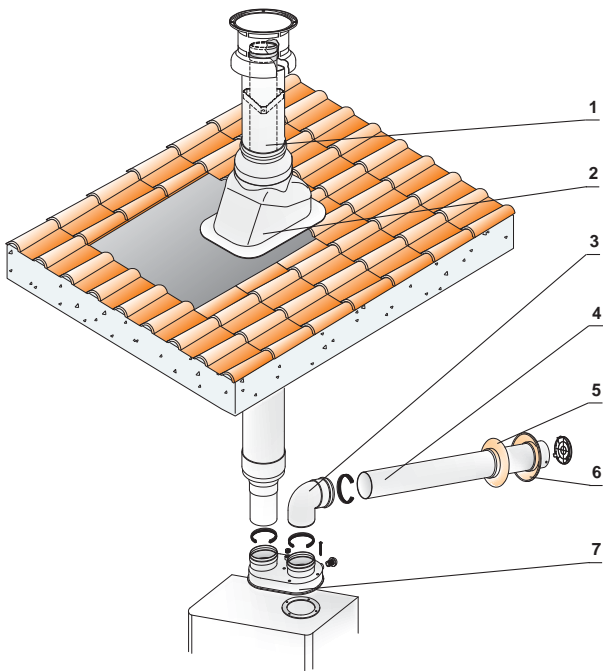


Code	Colour	Identification	Type
8014	black	A5025036	pitched
10489	red	A6025036	pitched
363	black	A5025001	flat

Flue pipes ø 80

Installation example

Vertical flue terminal, intake through wall



1 - 1303 A5021003	Flue terminal ø 80 - for exhaust
2 - 8014 A5205036	Pitched roof flashing - aluminium sheet
3 - 2096 A2011122	90° elbow ø 80
4 - 2101 A2011012	Flue pipe ø 80, intake
5 - 1020 A1011403	Inner wall collar
6 - 1021 A1011408	Outer wall collar
7 - 2098 A2011097	Twin flue adapter ø 80 with tap holes

ø60/100

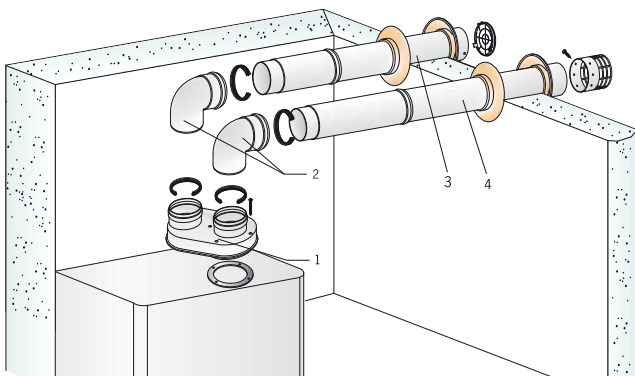
ø80/125

ø80

ø100

Accessories

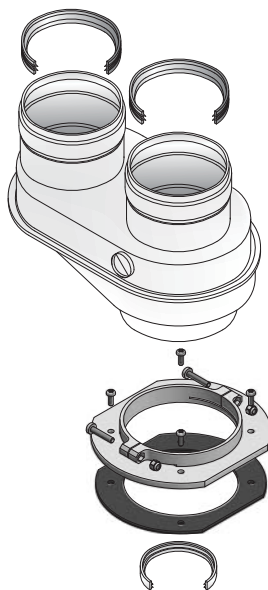
Horizontal flue terminal, intake through wall



1 - 2098 A2011097	Twin flue adapter ø 80 with tap holes
2 - 2096 A2011122	90° elbow ø 80
3 - 2101 A2011012	Flue pipe ø 80 intake
4 - 2100 A2011008	Flue pipe ø 80 exhaust

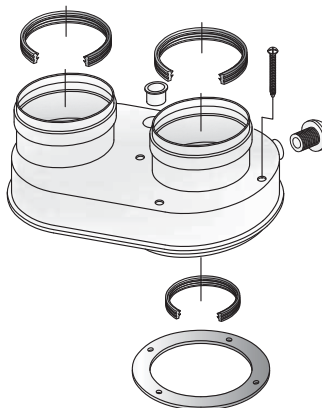
Components ø80

Twin flue adapter (for sleeve), 60/100, without sleeve



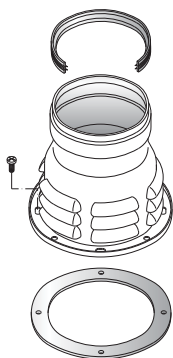
Code	7474
Length	139 mm
Identification	A2011594

Twin flue adapter with tap holes (for screws)



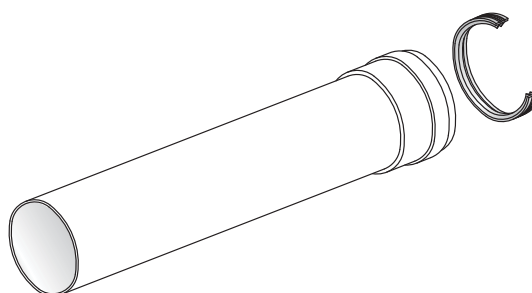
Code	2098
Length	90 mm
Identification	A2011097

Flange ø 60/100 to ø 80 exhaust, intake from indoors



Code	4679
Length	110 mm
Identification	A2001108

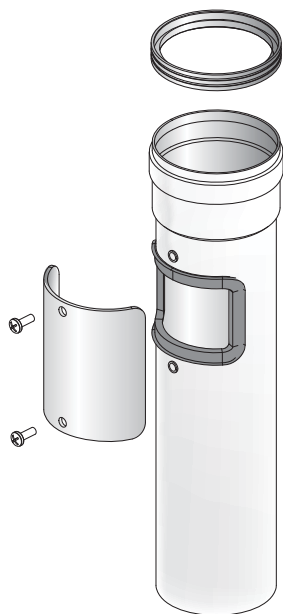
Extension ø80



Code	Length	Identification
9599	250 mm	A2011030
1991	500 mm	A2011017
1990	1000 mm	A2011004
8784	1950 mm	A2011120

Components ø80

Flue section with inspection hole ø 80



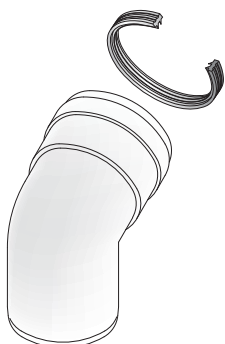
Code	2008
Length	310 mm
Identification	A2011666

90° elbow ø 80 with inspection hole



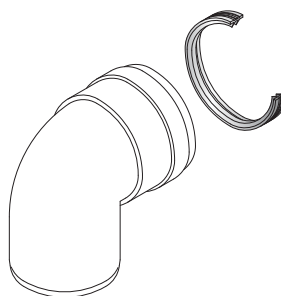
Code	2009
Identification	A2011684

45° elbow ø 80



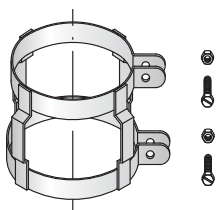
Code	2095
Identification	A2011131

90° elbow ø 80



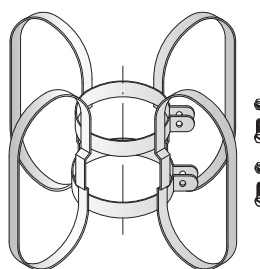
Code	2096
Identification	A2011122

Locking band for chimney



Code	2189
Identification	A1012006

Chimney spacer - in stainless steel



Code	1961
Identification	A1012005

ø60/100

ø80/125

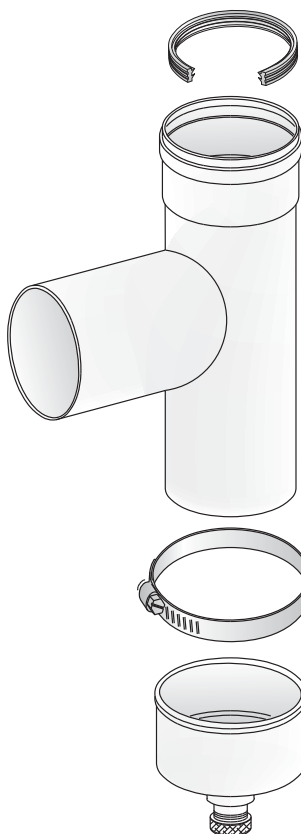
ø80

ø100

Accessories

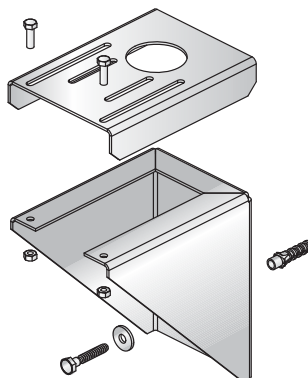
Components ø 80

T-piece ø 80 with condensate drain into chimney



Code	2191
Identification	A2012053

Chimney support bracket for T-piece



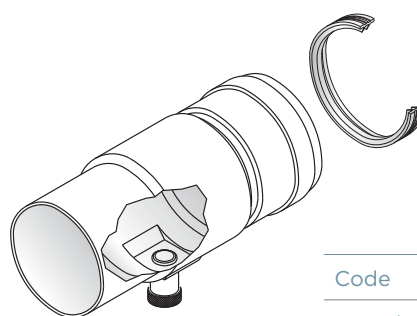
Code	8202
Identification	A5012034

Flue section ø 80 for condensate drain, vertical



Code	3691
Length	135 mm
Identification	A20011082

Flue section ø 80 for condensate drain, horizontal



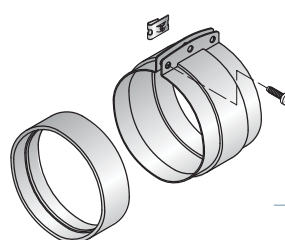
Code	2197
Length	185 mm
Identification	A2011198

Adapter from ø 57 to ø 80 (F/F)



Code	7307
Length	134 mm
Identification	A2011314

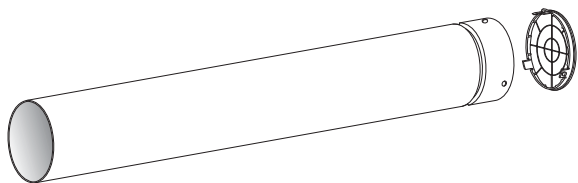
Locking band ø 80 with sleeve - varnished



Code	2158
Identification	A2011151

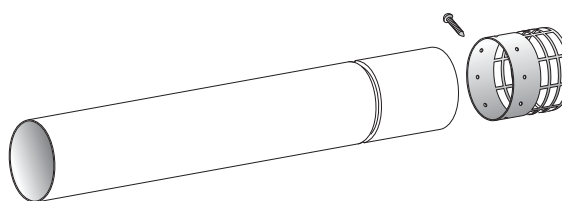
Components ø 80

Flue pipe, intake, ø 80



Code	2101
Length	905 mm
Identification	A2011012

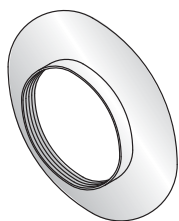
Flue pipe, exhaust, ø 80



Code	Length	Identification
2099	550 mm	A2011026
2100	1000 mm	A2011008
4118	1000 mm*	A2011526

* 1.5 mm thick

Inner wall collar ø 80



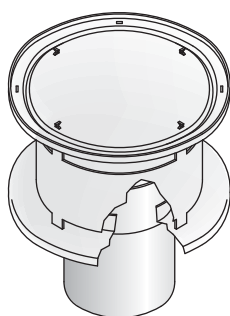
Code	1020
Identification	A1011403

Outer wall collar ø 80



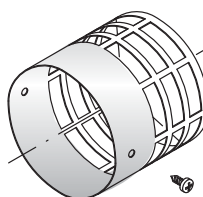
Code	1021
Identification	A1011408

Flue end ø 80 for flue terminal - exhaust only



Code	8167
Identification	A5023012

Exhaust end ø 80 - in stainless steel



Code	4754
Identification	A1011154

ø 60/100

ø 80/125

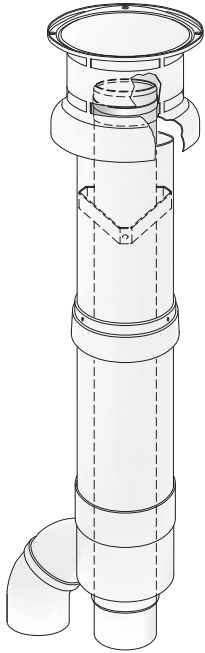
ø 80

ø 100

Accessories

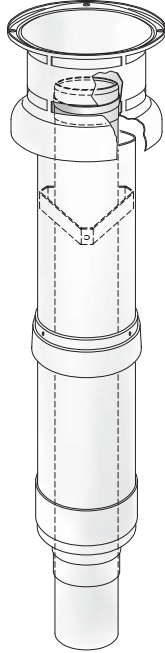
Components ø 80

Flue terminal 2x ø 80,
125mm roof passage, black



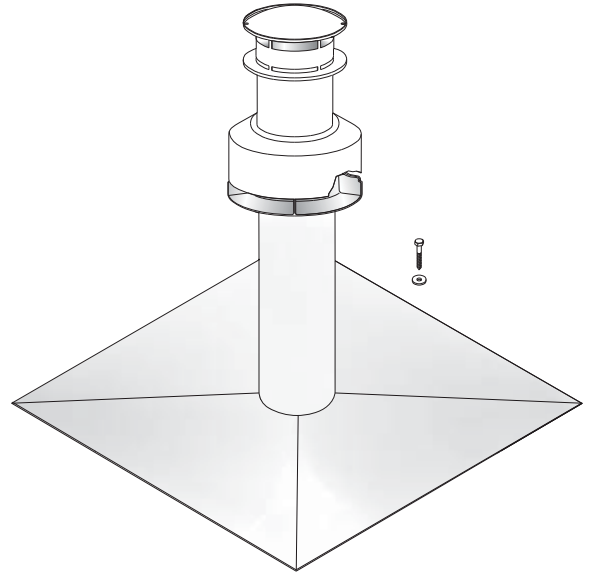
Code	3777
Length	1245 mm
Identification	A5021002

Flue terminal 1x ø 80, 125 mm
roof passage for exhaust, black



Code	1303
Length	1245 mm
Identification	A5021003

Flue terminal with chimney plate



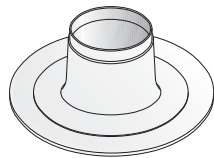
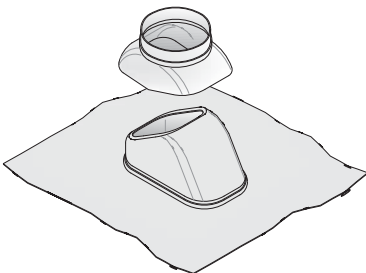
Code	10502
Length	664 mm
Plate	500x500 mm
Identification	PTA5380

Roof flashing ø 125

- malleable aluminium sheet 18-44°

pitched

flat

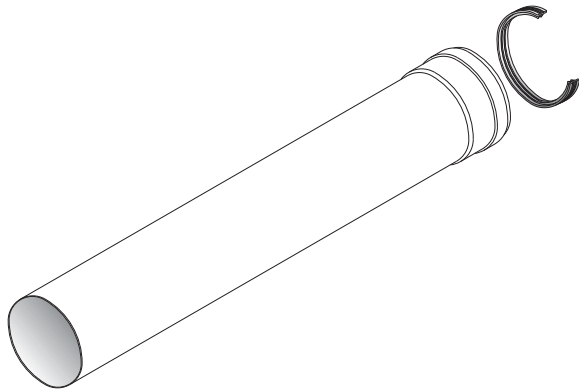


Code	Colour	Identification	Type
8014	black	A5025036	pitched
10489	red	A6025036	pitched
363	black	A5025001	flat

Flue pipes ø 100

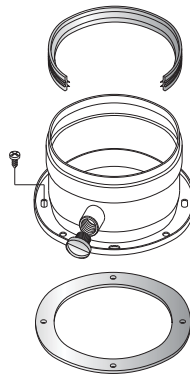
Components ø100

Extension ø100



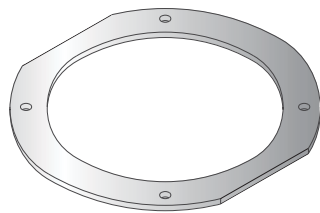
Code	Length	Identification
2090	500 mm	A2105003
2092	1000 mm	A2015006

Boiler flange ø 100 with tap hole - slip-on system



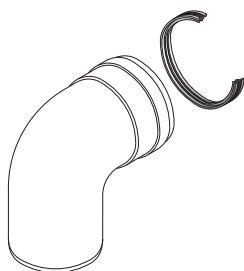
Code	7120
Length	62mm
Identification	A2015061

Gasket ø 100, under plastic flange



Code	10067
Identification	GNE10011

90° elbow ø 100



Code	2088
Identification	A2015011

ø60/100

ø80/125

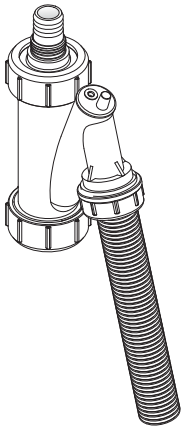
ø80

ø100

Accessories

Accessories

Condensate trap with ball and hose



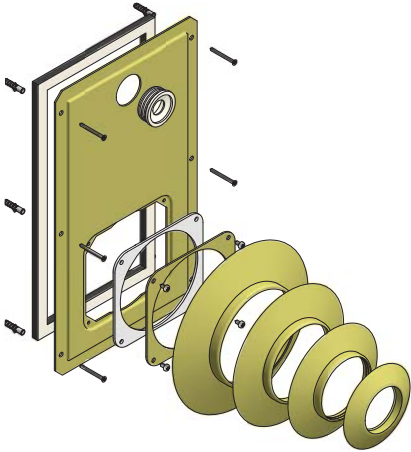
Code	6123
Identification	B1003057

Silicone paste 250 g



Code	10280
Identification	SCIVTU0250

Chimney door, ø 60,80,100,125



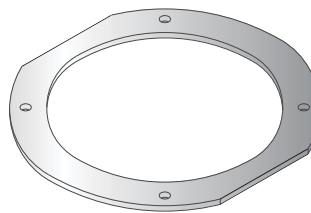
Code	15849
Identification	A2012233

Boiler flange ø 100 enlarged, in NYLON, separate



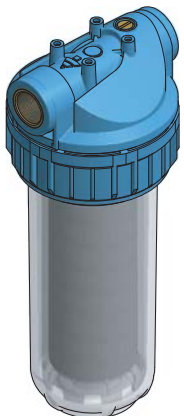
Code	8459
Identification	BB005035

Gasket ø 100 under plastic flange



Code	10067
Identification	GNE10011

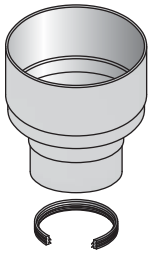
Filter



Code	
13899	Neutralization filter
13898	Replacement cartridge

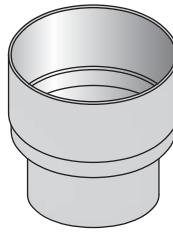
Spare parts

Flue terminal adapter 125/80



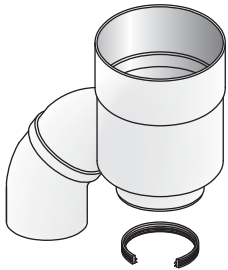
Code	4113
Identification	A5025004

Flue terminal adapter 125/100



Code	3137
Identification	A5025005

Flue terminal adapter 125/2x 80



Code	3136
Identification	A5025006

ø60/100

ø80/125

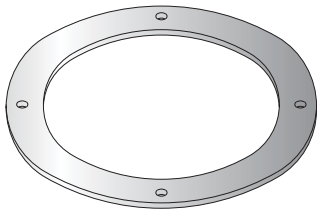
ø80

ø100

Accessories

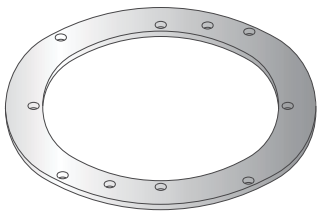
Gaskets

Gasket under flange



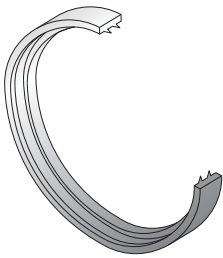
Code	Diameter	Colour	Identification	Note
783	100	black	A1015089	self-adhesive

Gasket under enlarged flange



Code	Diameter	Colour	Identification	Note
10071	100	black	GNE10019	self-adhesive

Sealing O-ring with two lips



Code	Diameter	Colour	Identification	Note
1851	60	red	A1013071	
1448	80	red	A1011905	
1852	100	red	A1015077	
6434	100	grey	A1015165	for intake 60/100
6462	125	grey	A1018041	for intake 80/125

Sealing O-ring with three lips and protrusions



Code	Diameter	Colour	Identification	Note
9699	80	white	A1011889	for elbows 2095,2096

