



www.regulus.eu



PS ES+

Installation and Operation Manual
THERMAL STORES PS 600 ES+, PS 900 ES+, PS 1100 ES+

EN

PS ES+

CONTENTS

1 Description	2
1.1 Models	2
1.2 Tank Protection	2
1.3 Thermal Insulation	2
1.4 Connection points on the tank	2
1.5 Packaging.....	2
2 General Information	2
3 Dimensions and Other Technical Data	3
4 Operation	5
5 Typical Layout Example with Thermal Store	5
6 Installation and Commissioning	6
6.1 Connection to heat sources	6
6.2 El. heating element installation	6
6.3 Commissioning	6
7 Installing Insulation on the Tank	6
8 Maintenance	8
9 Disposal	8
10 Warranty	8

1 - Description

PS ES+ Thermal Stores are intended for storing and subsequent distribution of thermal energy from solid-fuel fired boiler. 230V or 3x230V/400V heating elements (2-12 kW output) can be installed directly into the 6/4" connections. Tanks are fitted with three side connections, one top connection and one connection for sensor sheath. A 100mm thick insulation for these tanks can be purchased as a separate item.

1.1 - Tank protection

Three models of 560, 860 and 1037 l capacity.

1.2 - Tank protection

The inner surface has no finish, no anticorrosion protection, the outer surface is lacquered in gray.

1.3 - Thermal Insulation

Thermal insulation is available as a separate item. For easier handling, the insulation shall not be fitted on the tank until it reaches its definite place of installation. The insulation is made of fleece, 100 mm thick, with a hard polystyrene surface. It is closed by a quick lock.

1.4 - Connection points on the tank

3× side connections, G 6/4" F thread

1× top connection, G 6/4" F thread"

1× side connections for sensor sheaths, G 1/2" F thread

1.5 - Packaging

Thermal stores are delivered standing, each screwed to its separate pallet, packed in bubble wrap.

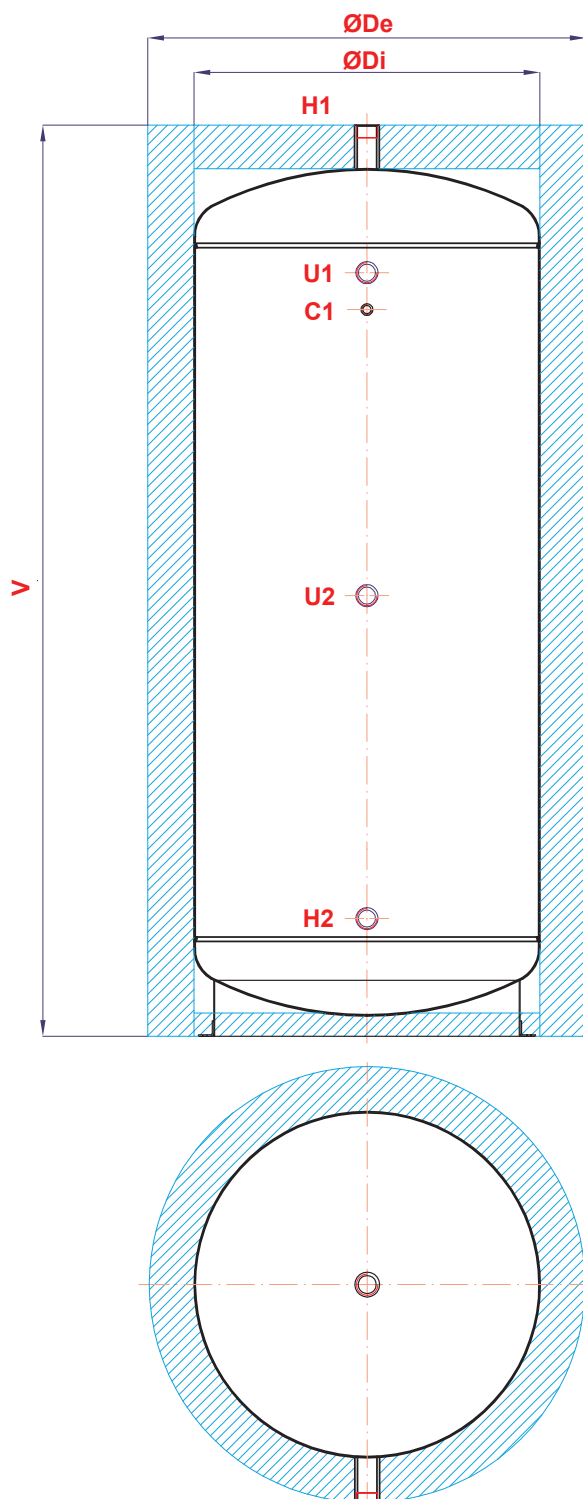
2 - General Information

This Manual is an integral and important part of the product and must be handed over to the User. Read carefully the instructions in this Manual as they contain important information concerning safety, installation, operation and maintenance. Keep this Manual for later reference. The appliance shall be installed by a qualified person according to valid rules and Manufacturer's Instructions, otherwise the Warranty is null and void.

This appliance is designed to accumulate thermal energy of heating water and distribute it subsequently. It must be connected to a heating system and heat sources.

Using the thermal store for other purposes than above described is forbidden and the manufacturer accepts no responsibility for damage caused by improper or wrong use. The thermal store must not be used as a hot water storage tank!

3 - Dimensions and Other Technical Data



Code			
Thermal store	PS 600 ES+	PS 900 ES+	PS 1100 ES+
Tank code	15527	15530	15956
Insulation code (accessor.)	19310	19301	19315
Application			
Storage and subsequent distribution of thermal energy from solid-fuel boilers.			
Energy efficiency data (as per EC Regulation No. 813/2013)			
	PS 600 ES+ w. insulation	PS 900 ES+ w. insulation	PS 1100 ES+ w. insulation
Energy efficiency class	-	-	-
Standing loss	98 W	122 W	135 W
Storage volume	560 l	860 l	1037 l
Technical data			
Total tank volume	560 l	860 l	1037 l
Max. working temperature in tank	95 °C	95 °C	95 °C
Max. working pressure in tank	3 bar	3 bar	4 bar
Material			
Tank material	S235JR	S235JR	S235JR
Dimensions, tipping height, weight			
Tank diameter	650 mm	790 mm	850 mm
Tank diameter with insulation	850 mm	990 mm	1050 mm
Tank overall height	1935 mm	1975 mm	2080 mm
Tipping height without insulation	1960 mm	2015 mm	2335 mm
Heating elem. max. length / output	700 mm / 8,2 kW	815 mm / 12 kW	815 mm / 12 kW
Empty weight	62 kg	84 kg	123 kg
Accessories			
Insulation (code)	19310	19301	19315
El. heating element	models ETT-A, C, D, F, P, M		

Thermal store	PS 600 ES+		PS 900 ES+		PS 1100 ES+	
Tipping height without insulation	1960 mm		2015 mm		2335 mm	
Marking	Connection	Height [mm]	Connection	Height [mm]	Připojení	Height [mm]
Heating system						
H1	G 6/4"	1935	G 6/4"	1975	G 6/4"	2080
H2	G 6/4"	235	G 6/4"	225	G 6/4"	255
Control and safety						
C1	G 1/2"	1510	G 1/2"	1530	G 1/2"	1620
Universal inlet/outlet						
U1	G 6/4"	1635	G 6/4"	1655	G 6/4"	1745
U2	G 6/4"	935	G 6/4"	955	G 6/4"	1045
Tank dimensions [mm]						
V (tank height)	1935		1975		2080	
Ø Di (tank diameter)	650		790		850	
Ø De (diam. w. insulation)	850		990		1050	

4 - Operation

In a thermal store, heating water can be heated up by various types of hot-water boilers, or possibly also by electric heating elements.

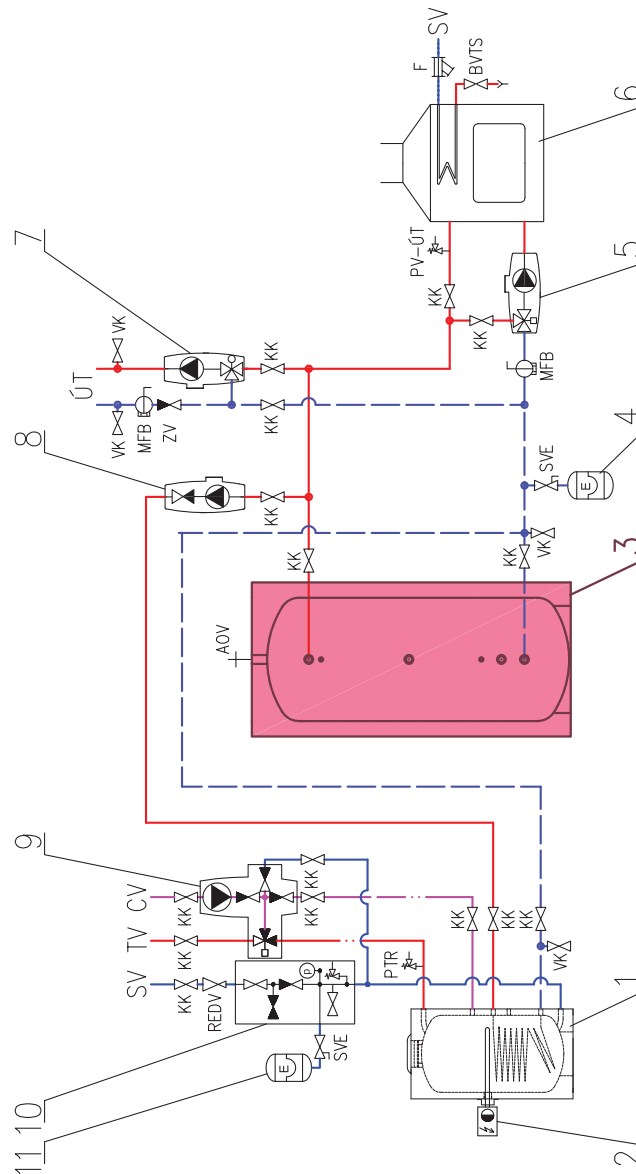
The thermal store is connected to the energy source using a G 6/4" connection fitting. The individual tank outlets are fitted according to the circuits to be connected.

5 - Typical Layout Example with Thermal Store

Example

Biomass boiler (fireplace insert/stove)

- KEY**
- 1 – hot water storage tank
 - 2 – electric heating element with thermostat
 - 3 – thermal store for central heating - PS xxx E+ (ES+)
 - 4 – heating system expansion vessel
 - 5 – boiler load unit - thermostat
 - 6 – biomass boiler (fireplace insert/stove)
 - 7 – pump station for heating system - CSE MIX
 - 8 – pump station for DHW heating – CSE OTS ZV
 - 9 – pump station for DHW recirculation – CSE TVMIX ZV
 - 10 – safety kit for HW storage tank
 - 11 – DHW expansion vessel
 - SV – cold water
 - TV – hot water
 - CV – hot water recirculation
 - ÚT – central heating (heating system)
 - KK – ball valve
 - ZV – check valve
 - AOV – automatic air vent valve
 - PTR – pressure temperature relief valve
 - REDV – pressure reducing valve (optional)
 - VK – drain valve
 - SVE – expansion vessel service valve
 - PV-ÚT – safety valve for heating system
 - MFB – Magnet Filterball
 - F – filter
 - BVTS – safety relief valve of boiler cooling loop



6 - Installation and Commissioning

Installation shall meet valid rules and may be done by qualified staff only.

Defects caused by improper installation, use or handling are not covered by warranty.

After the tank is installed and connected to an existing heating system, it is recommended to clean the entire heating system using a suitable cleaning agent, e.g. BP 400.

Anti-corrosion protective liquid should be also used, e.g. BP 100 Plus.

6.1 - Connection to heat sources

Place the tank on the floor, as close to your heat source as possible. Fit the insulation, cf. Installing Insulation on the Tank. Connect the heating system according to the recommended connection layout - see Chap. 5. Install a drain valve at the lowest point of the tank. Install an air vent valve at the highest point of the system. Insulate all the connecting piping.

6.2 - El. heating element installation

These thermal stores can be equipped with electric heating elements of output up to 12 kW depending on the volume of the thermal store - see the table of max. output of heating elements in hot water tanks and thermal stores. They can be connected either directly (elements with integrated thermostat) or via the controller of the entire heating system.

All electric heating elements shall be protected by a safety thermostat.

The electric heating element shall be wired by a professionally qualified person only.

6.3 - Commissioning

Ground the tank before commissioning.

This tank is not designed for DHW heating.

The tank shall be filled up together with the heating system, respecting valid standards and rules. In order to minimize corrosion, special additives for heating systems should be used. The quality of heating water depends on the quality of filling water at commissioning, on the top-up water quality and on the frequency of topping up. This has a strong influence on the lifetime of heating systems. Poor quality of heating water may cause problems like corrosion or incrustation, esp. on heat transfer surfaces.

Fill the heating circuits with the appropriate fluids and air-bleed the entire system. Check all connections for leaks and verify the system pressure. Set the heating controller in compliance with the documentation and manufacturer's recommendations. Check regularly proper function of all control and adjustment elements.

7 - Installing Insulation on the Tank

Product description

Fleece insulation with a hard polystyrene surface, closed by a quick locks.

Warning

Insulation installation shall be done in two or three persons, depending on its size. The PU leather surface coated fleece insulation **must not be installed at temperatures below 20 °C**. If this cannot be avoided, the insulation shall be pre-warmed in another room to at least 20 °C. It is impossible to install insulation of lower temperature, there is a risk of damage.

Do not use any tools for installation.

Keep away from open fire.

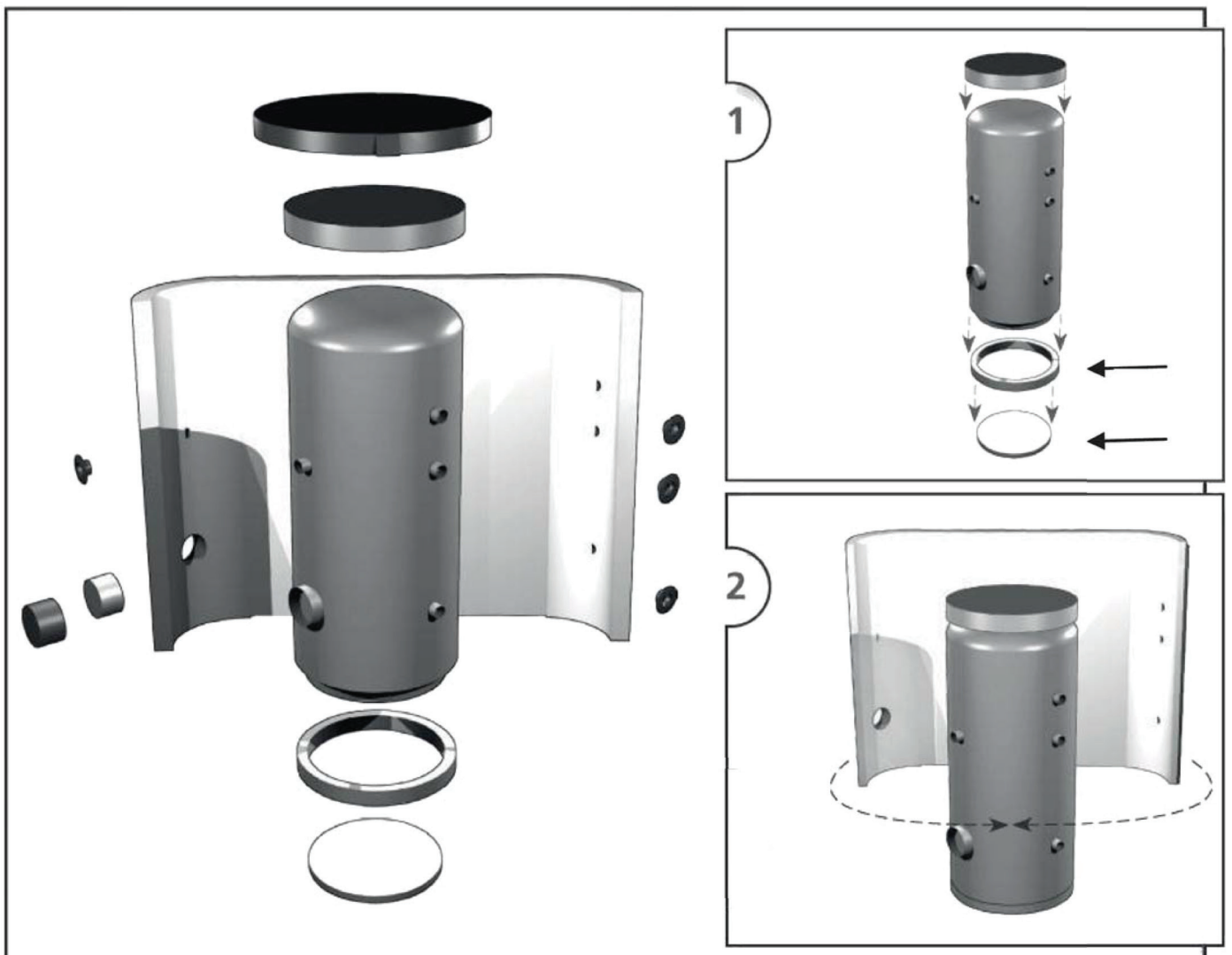
Installing insulation

1. Put the bottom insulation under the tank and place the tank following installation instructions.
2. Wrap the insulation around the tank carefully. Check that the insulation adheres to its body perfectly. This can be reached by rubbing and patting the insulation by hand from its centre evenly in both directions until the insulation adheres to the tank's surface completely and no bubbles are left.
3. Use the holes for connections as a rest during the insulation installation.
4. At least one person presses the insulation to the tank, pulling both ends together. The other person closes the quick lock from the side.
5. Put on the upper insulation and cover.
6. Push on the covering plastic rosettes depending on the size of connections, or put on the flange plug(s) with insulation.
7. Finish the tank installation in compliance with the respective instructions and valid standards and rules.

Warranty on insulation

The insulation is covered by a 24-month warranty. This period starts the next day after the insulation is sold.

- Warranty shall become null and void if:
 - the procedure described in the Installation Manual was not respected,
 - the product was used for other purposes than intended.
- Warranty does not cover:
 - usual wear and tear,
 - damage caused by fire, water, electricity or another natural disaster,
 - defects caused by failure to use the product in compliance with its intended purpose, by improper use and insufficient maintenance,
 - defects caused by mechanical damage to the product,
 - defects caused by tampering or incompetent repair.



8 - Maintenance

If the tank is fitted with a heating element, disconnect it from the mains first. Clean the exterior of the tank with a soft cloth and a mild detergent. Never use abrasive cleaners or solvents. Check all tank connections for leaks.

9 - Disposal

Packaging shall be disposed of in compliance with the valid rules. When the product reaches the end of its life, it shall not be disposed of as household waste. It shall be dropped off at a Local Waste Recycling Centre. Insulation shall be recycled as plastic and the steel vessel as scrap iron.

10 - Warranty

This product is covered by warranty according to the conditions described in this Manual and according to the Warranty Certificate. A Warranty Certificate is an integral part of the supply.