


CSE SOL G SRS1 T-E Solar Pump Station

v1.0_07/2021

	Main Features	
	Application	Solar Pump Station involves all necessary components for everyday efficient operation, incl. complete electrical wiring. Only the collector temperature sensor needs to be connected. A 2-3 kW electric heating element can be connected to the pump station for backup heat. For this purpose, the pump station is equipped with a dedicated electrical socket. The heating element is not included in supply.
Description	<p>It consist of a Grundfos UPM3 Hybrid pump, SRS1 T controller, check and safety valves, 2 ball valves, pressure gauge, thermometer, el. wiring, insulation and installation kit. After the control element with end stops is removed and the gland nut released, the ball valves enable easy replacement of O-rings without the need of draining the solar thermal system.</p> <p>The pump station further involves:</p> <ul style="list-style-type: none"> • outlet for expansion vessel connection • outlet from safety valve, incl. extension piping led below the pump station for an easy connection • solar thermal system filling, draining and topping-up valves • special socket to connect a heating element of max. 3 kW / 230 V output • connected 2 temperature sensor for a consumer (4 m cable) • solar temperature sensor (2 m cable) • 230 V power supply cable w. el. plug (3 m long, 3 x 1,5 mm² cross section) 	
Installation	on a tank or wall using the installation kit	
Working fluid	water-glycol mixture (max. 1:1)	
Code	18970 - G 3/4" M connection, flowmeter 2-12 l/min 18962 - G 1" M connection, flowmeter 8-28 l/min	

Pump Station Data	
Max. fluid working temperature	110 °C
Max. working pressure	6 bar
Min. system pressure	1.3 bar with the pump stopped
Max. switched current	13 A / 230 V
Power supply	230 V, 50 Hz
Ambient temperature	5-40 °C
Max. relative humidity	85% at 25 °C
Insulation material	EPP RG 60 g/l
IP rating	IP20
Overall dimensions	470 x 265 x 120 mm
Total weight	7.1 kg

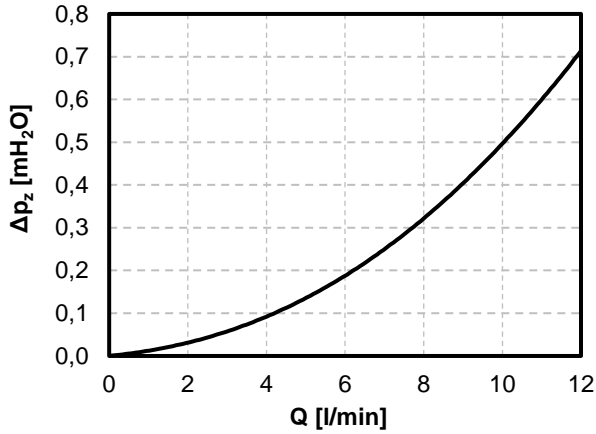
Accessories	
Code 16942	ETT-N heating element, 2 kW
Code 16943	ETT-N heating element, 3 kW
Code 16940	el. plug for CSE SOL SRS1 T-E
Code 7629	pipe union Cu 22 x Cu 22, straight, to connect a waste pipe to the safety valve
Code 13695	pipe union Cu 22 x G 3/4" M, straight, to connect a waste pipe to the safety valve

CSE SOL G SRS1 T-E Solar Pump Station

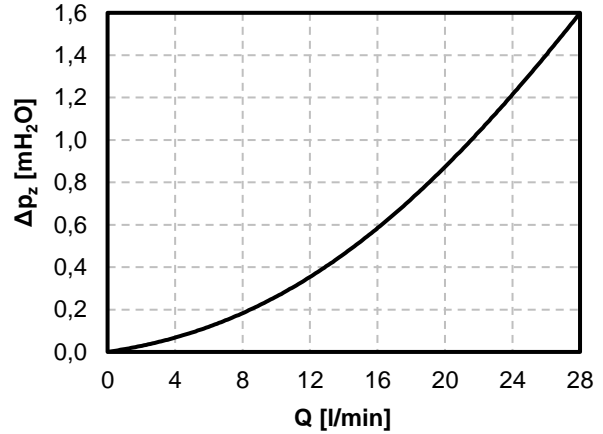
v1.0_07/2021

Pump Station Pressure Drop Graph

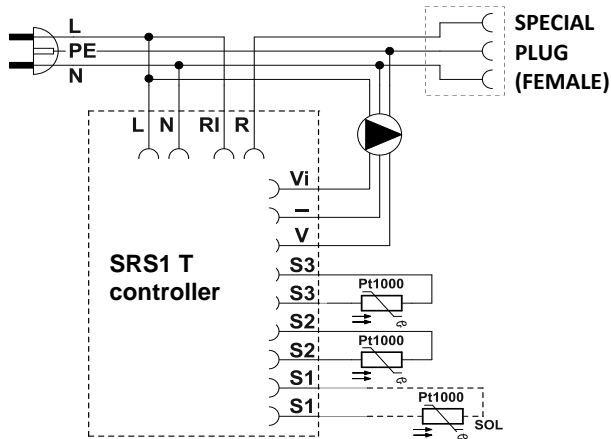
- with flowmeter 2-12 l/min



- with flowmeter 8-28 l/min



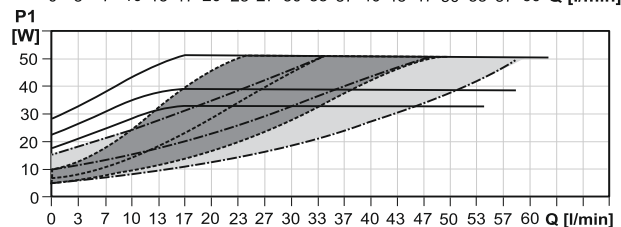
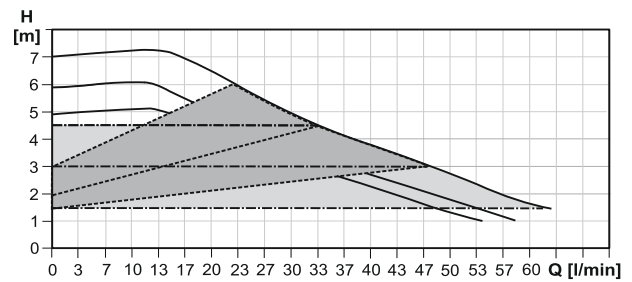
Pump Station Internal Wiring



- L** live
- N** neutral
- RI, R** potential-free switching contact
- Vi** iPWM signal input
- GND PWM
- V** PWM signal output
- S3** sensor 3 (backup heat)
- S2** sensor 2 (solar consumer)
- S1** sensor 1 (collector)

* in the pump station, to connect a heating element of max. 3 kW output

Pump Performance Curves



- Constant speed
- - - - - Variable pressure
- · — · — Constant