



[www.regulus.eu](http://www.regulus.eu)



VZK-S 3xx - 230 - 2P - 001

Instruction Manual  
**MOTORIZED 3-WAY BALL VALVE (mixing possible)**  
VZK-S 3xx - 230 - 2P - 001

**EN**

**VZK-S 3xx - 230 -2P - 001**

## 1 – APPLICATION

Valves with actuator of the series VZK-S 3xx - 230 - 2P can be used together with any controller that is equipped with a 230V two-pole output.

## 2 - FEATURES

The actuator installs easily onto the valve. Its stop positions are fitted with end switches that interrupt power supply to the actuator motor. In case of a controller failure, the actuator can be controlled manually – just pressing and turning the push button with a screwdriver will disengage the actuator motor drive. Then the desired valve position can be adjusted by turning the handle. The valve position is indicated on a scale.

## 3 – TECHNICAL DATA

### Actuator

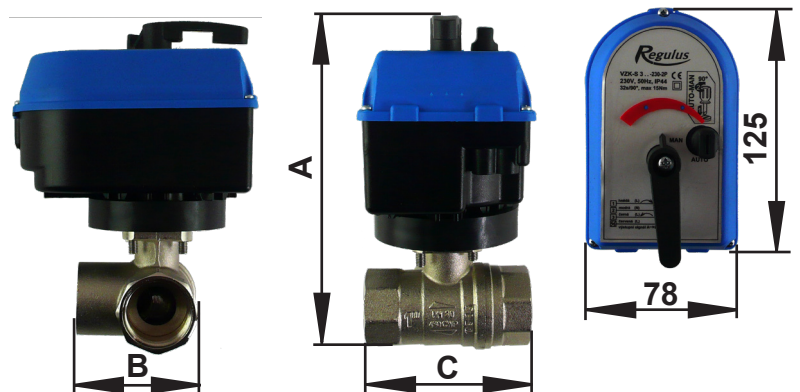
Voltage:	230 V, 50 Hz
Consumption during operation:	6 VA
Auxiliary switch:	1 (1) A, 250 V, 50 Hz
IP rating:	IP44
Protection class:	II
Opening/closing time:	48 s/90°
Torque:	15 Nm
Ambient temperature:	0 °C to 55 °C
Storage temperature:	-20 °C to 50 °C
Connecting cable:	2m long, 4 x 0,5 mm <sup>2</sup>

### Valve

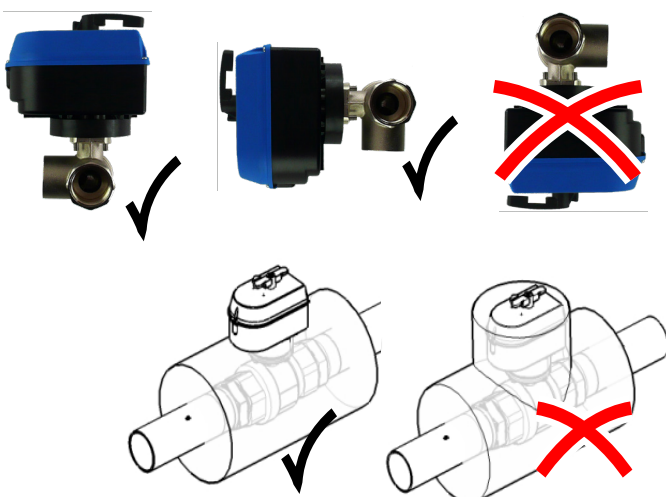
Model:	3-way ball valve, female threaded connection
Fluid temperature:	up to 110 °C
Max. operating pressure:	PN16
Fluid:	Sanitary/drinking water and non-aggressive fluids, glycol up to 30%.

## 4 – DIMENSIONS

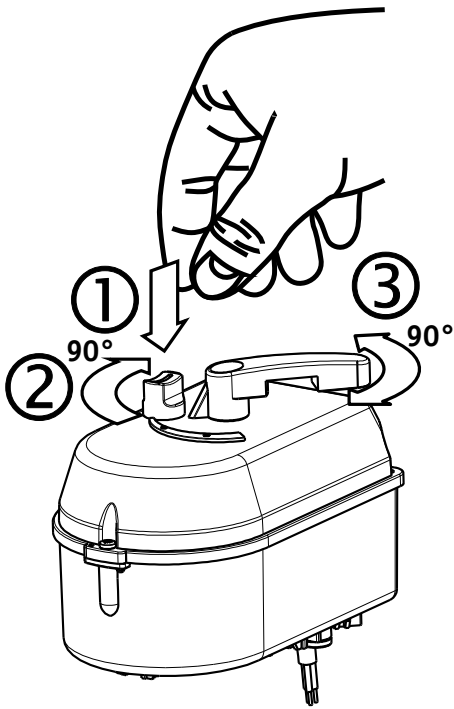
Type	code	G	DN [mm]	A [mm]	B [mm]	C [mm]	weight [kg]
VZK-S 315 - 230 - 2P - 001	13589	1/2"	15	157	48,5	67	1,15
VZK-S 320 - 230 - 2P - 001	11286	3/4"	20	157	50,5	69,5	1,1
VZK-S 325 - 230 - 2P - 001	11287	1"	25	168	60	82	1,3



### Installation positions and insulation

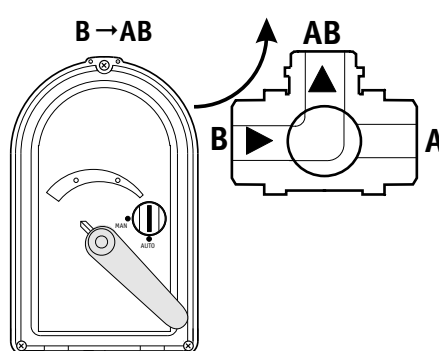
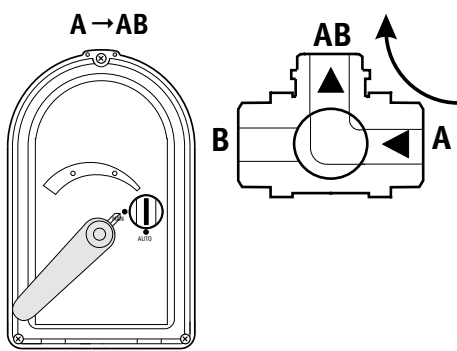


## 5 - MANUAL CONTROL

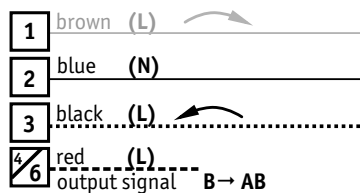
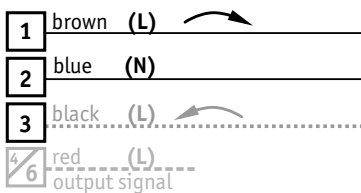


## 6 - VALVE POSITION AND FLOW OF FLUID

When the terminal 1 (brown wire) is energized, the actuator turns clockwise, i.e. the path A-AB opens.

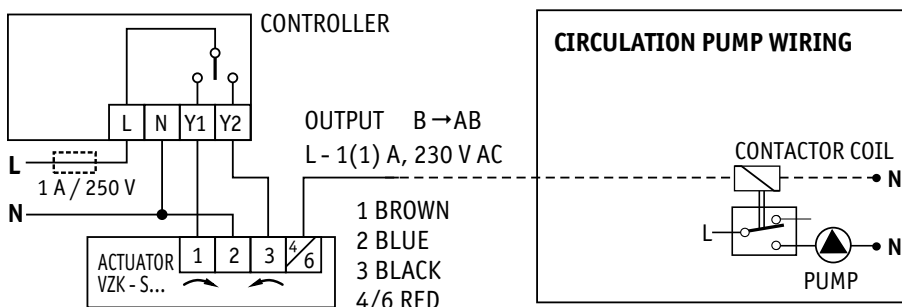


When the terminal 3 (black wire) is energized, the actuator turns counter-clockwise, i.e. the path B-AB opens. As soon as the path B-AB fully opens, 230V tension appears on the terminal 4/6 (red wire).



## 7 - ACTUATOR WIRING

The actuator is controlled by a switch contact from a controller or thermostat (single-pole wiring).



### WARNING

The actuator shall be protected by a 1A fuse. Disconnect it from power prior to opening the housing. When the actuator is in a fully open position, 230V tension appears on the terminal 4/6. This output can be used to control a circulation pump if connected via a contactor. Respect safety rules when working on an electric device. Wire the actuator to the mains in compliance with the valid standards.

# WARRANTY CERTIFICATE

## Three-way Ball Valve with Actuator

(mixing possible)

**VZK-S 3xx - 230 - 2P - 001**

Sold by: ..... Date: .....

### WARRANTY CONDITIONS

1. The warranty period is 24 months from the date of purchase.
2. The product shall be installed and commissioned by a competent company or a person trained by the manufacturer.
3. When claiming warranty, this Warranty Certificate must be submitted together with a purchase receipt.
4. The warranty is valid only when the technical conditions set by the Manufacturer, by installation manual and instructions in the documentation and on the product itself are maintained.
5. The warranty does not cover defects caused by external conditions or improper operating conditions, defects caused by normal wear and tear, further when the product is not used in compliance with its purpose and when the defect was caused by mechanical damage to the product, improper handling, tampering by a third person, improper installation, improper stocking, natural disaster etc.

### COMMISSIONING

Commissioned by: .....

Date: .....

Rubber stamp print and signature of the technician: