



PUMP STATIONS FOR HEATING SYSTEMS





CONTENTS

Single-line pump stations for unmixed heating circuits

- 4-5** CSE OTS, insulated
- 6** CS KK, uninsulated

Single-line pump stations for mixed heating circuits

- 8** CSE MIX with actuator
- 9** CSE MIX-BP without actuator

Twin-line pump stations for unmixed heating circuits

- 10** CSE2

Twin-line pump stations for mixed heating circuits

- 11** CSE2 MIX with actuator
- CSE2 MIX-BP without actuator

- 12** **Actuator data**

SINGLE-LINE PUMP STATIONS FOR UNMIXED HEATING CIRCUITS

CSE OTS G Pump Station

Insulated single-line pump station with high-efficiency circulation pump, ball valves and thermometer.



TECHNICAL DATA

CONNECTIONS	1" F
FLUID WORKING TEMPERATURE	5 - 95 °C
DIMENSIONS	325 x 140 x 150 mm

COMPONENTS

- Grundfos circulation pump
- Pump connection cable with connector
- Neat insulation for reduced heat loss
- 2 ball valves
- Check valve (codes 19088, 17922)
- Magnet Filterball (code 17922)
- Thermometer



MODELS	CSE OTS G60	CSE OTS ZV G60	CSE OTS MFB+ZV G75
PUMP	UPM3 FLEX AS 25-60	UPM3 FLEX AS 25-60	UPM3 FLEX AS 25-75
PUMP CONTROL	ON/OFF (I,II,II) or PWM-A	ON/OFF (I,II,II) or PWM-A	ON/OFF (I,II,II) or PWM-A
MAX. HEAD	6m	6m	7.5m
CODE	19085	19088	17922

SINGLE-LINE PUMP STATIONS FOR UNMIXED HEATING CIRCUITS

CSE OTS W Pump Station

Insulated single-line pump station with high-efficiency circulation pump, ball valves and thermometer.



TECHNICAL DATA

CONNECTIONS	1" F
FLUID WORKING TEMPERATURE	5 - 95 °C
DIMENSIONS	325 x 140 x 150 mm

COMPONENTS

- Wilo circulation pump
- Pump connection cable
- Neat insulation for reduced heat loss
- 2 ball valves
- Check valve (codes 17979, 17818, 18127)
- Magnet Filterball (code 17818)
- Thermometer



MODELS	CSE OTS W6	CSE OTS ZV W8	CSE OTS MFB+ZV W8	CSE OTS ZV W-PWM
PUMP	PARA 25/6 SC	PARA 25/8 SC	PARA 25/8 SC	PARA 25/8 iPWM1
PUMP CONTROL	ON/OFF (Δp -c / Δp -v / I,II,II)	ON/OFF (Δp -c / Δp -v / I,II,II)	ON/OFF (Δp -c / Δp -v / I,II,II)	ON/OFF (max. speed) or PWM
MAX. HEAD	6.7 m	8.4 m	8.4 m	8.4 m
CODE	18611	17979	17818	18127

SINGLE-LINE PUMP STATIONS FOR MIXED HEATING CIRCUITS

CSE MIX G Pump Station with mixing

Pump station intended to control temperature of a mixed circuit or of a return line to solid-fuel boiler through an external controller. The version designed for the right-hand pipe, possible to convert to a left-hand pipe version.



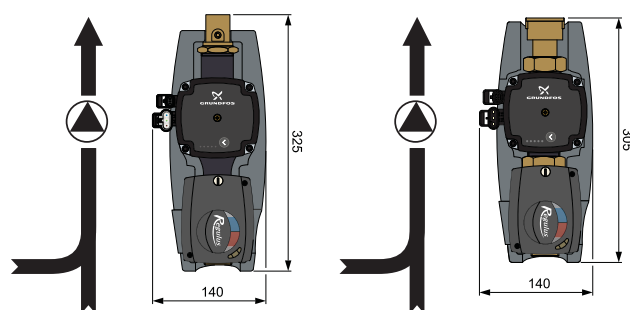
TECHNICAL DATA

FLUID WORKING TEMPERATURE	5 - 95 °C
MIXING VALVE ACTUATOR	3-point control, 120 s, 5 Nm
POWER SUPPLY	230 V, 50 Hz

COMPONENTS

- Grundfos circulation pump with connecting cables with connector
- Mixing valve
- Mixing valve actuator with cable
- Neat insulation for reduced heat loss

DIMENSIONS







MODELS

	CSE MIX G 1M	CSE MIX G 1F	CSE MIX G 5/4F
CONNECTIONS	1" (2x M, 1x F)*	1" (3x F)	5/4" (3x F)
GRUNDFOS UPM3 PUMP	AUTO 25-60	AUTO 25-60	FLEX AS 25-75
PUMP CONTROL	ON/OFF (Δp -c / Δp -v / I,II,III)	ON/OFF (Δp -c / Δp -v / I,II,III)	ON/OFF (I,II,III) or PWM-A
MAX. HEAD	6 m	6 m	7.5 m
KVS OF THE MIXING VALVE	6.3 m ³ /h	10 m ³ /h	16 m ³ /h
CODE	19110	19106	16402
CODE OF PUMP STATION WITHOUT ACTUATOR	-	19102	18753

* the inner thread is located at the outlet end of the pump

ACCESSORIES

Name	Application	Code
 CSE/HV Kit	2 threaded fittings, 1 T-piece, 1 ball valve for an easy connection to Regulus heating circuit manifolds	16922
 T-piece, 1" M/Fu/M, 90 mm	to connect a return line to a mixing valve	16660
 T-piece, 1" M/Fu/M, 125 mm	for an easy connection to Regulus heating circuit manifolds	16659
 Union 1" Fu/F	union nut x F thread	15694

Kindly select actuators on page 25.

SINGLE-LINE PUMP STATIONS FOR MIXED HEATING CIRCUITS



CSE MIX W Pump Station with mixing

Pump station intended to control temperature of a mixed circuit or of a return line to solid-fuel boiler through an external controller. The version designed for the right-hand pipe, possible to convert to a left-hand pipe version.

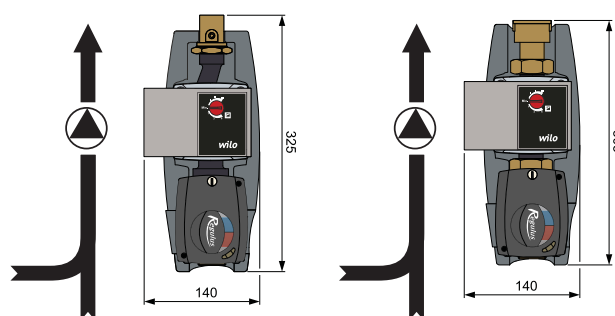
TECHNICAL DATA

FLUID WORKING TEMPERATURE	5 - 95 °C
MIXING VALVE ACTUATOR	3-point control, 120 s, 5 Nm
POWER SUPPLY	230 V, 50 Hz

COMPONENTS

- Wilo circulation pump with power cable
- Mixing valve
- Mixing valve actuator with cable
- Neat insulation for reduced heat loss

DIMENSIONS







MODELS

	CSE MIX W8 1M	CSE MIX W6 1F	CSE MIX W-PWM 1F	CSE MIX W8 5/4F
CONNECTIONS	1" (2x M, 1x F)*	1" (3x F)	1" (3x F)	5/4" (3x F)
WILO PUMP	PARA 25/8 SC	PARA 25/6 SC	PARA 25/8 iPWM1	PARA 25/8 SC
PUMP CONTROL	ON/OFF (Δp -c / Δp -v / I,II,III)	ON/OFF (Δp -c / Δp -v / I,II,III)	ON/OFF (max. speed) or PWM1	ON/OFF (Δp -c / Δp -v / I,II,III)
MAX. HEAD	8.4 m	6.7 m	8.4 m	8.4 m
KVS OF THE MIXING VALVE	6.3 m ³ /h	10 m ³ /h	10 m ³ /h	16 m ³ /h
CODE	17980	18317	18128	18524
CODE OF PUMP STATION WITHOUT ACTUATOR	-	18731	-	18732

* the inner thread is located at the outlet end of the pump

ACCESSORIES

Name	Application	Code
 CSE/HV Kit	2 threaded fittings, 1 T-piece, 1 ball valve for an easy connection to Regulus heating circuit manifolds	16922
 T-piece, 1" M/Fu/M, 90 mm	to connect a return line to a mixing valve	16660
 T-piece, 1" M/Fu/M, 125 mm	for an easy connection to Regulus heating circuit manifolds	16659
 Union 1" Fu/F	union nut x F thread	15694

Kindly select actuators on page 25.

TWIN-LINE PUMP STATIONS FOR UNMIXED HEATING CIRCUITS

CSE2 F Pump Stations

Twin-line pump station with a high-efficiency circulation pump and other well-arranged basic components set in a compact thermoinsulating case. It permits shutting off heating circuits, temperature control, placing controller temperature sensors and easy servicing. A filter with magnet is included which makes it suitable also for older systems with steel pipes. A version designed for the right-hand outlet, conversion not possible.

TYPICAL APPLICATION:

For unmixed heating circuits with/without thermostatic heads. Installation possible on a wall, thermal store or manifold.

COMPONENTS

FLOW:

- 1" F connection fitting with 1" Fu union nut.
- High efficiency circulation pump.
- DN 20 ball valve with union nut and a sensor sheath.
- Thermometer 0-120 °C.

RETURN:

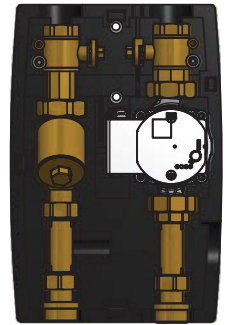
- 1" F connection fitting with 1" Fu union nut.
- Non-return valve.
- Filter with a large strainer surface area and magnet.
- Ball valve with sheath for sensor.
- Thermometer 0-120 °C.

TECHNICAL DATA

CONNECTIONS	1" F
FLUID WORKING TEMPERATURE	5 - 95 °C
PIPE DISTANCE	125 mm
DIMENSIONS	360 x 133 x 245 mm



In order to clean the filter, close the ball valve above the filter, and the check valve located under the filter will close the outlet from the filter.



ACCESSORIES



Ball Valve w. drain valve, Fu/F (the fitting 15695 is needed for connection with CSE2)

Code: 17415



Union 1" Fu/M incl. gasket

Code: 15695



Union 1"x5/4" Fu/F to connect CSE2 to 5/4" manifold

Code: 17920

MODELS	Grundfos UPM3 FLEX AS 25-75	Grundfos UPM3 AUTO 25-60	Wilco PARA 25/6 SC	Wilco PARA 25/8 SC
PUMP CONTROL	ON/OFF (I,II,II) or PWM-A	ON/OFF (Δp -c / Δp -v / I,II,II)	ON/OFF (Δp -c / Δp -v / I,II,II)	ON/OFF (Δp -c / Δp -v / I,II,II)
MAX. HEAD	7.5m	6 m	6.7m	8.4 m
CODE	17487	19107	18312	17936

TWIN-LINE PUMP STATIONS FOR MIXED HEATING CIRCUITS

CSE2 MIX F Pump Stations with Mixing

Twin-line pump station with a high-efficiency circulation pump, **mixing valve with (without) actuator** and with other well-arranged basic components set in a compact thermoinsulating case. It permits shutting off heating circuits, temperature control, placing controller temperature sensors and easy servicing. A filter with magnet is included for which makes it suitable also for older systems with steel pipes. A version designed for the right-hand outlet, conversion not possible.

TYPICAL APPLICATION:

For mixed heating circuits. Installation possible on a wall, thermal store or manifold.

COMPONENTS

FLOW:

- 1" F connection fitting with 1" Fu union nut.
- Mixing valve with / without electric actuator.
- High efficiency circulation pump.
- DN 20 ball valve with union nut and a sensor sheath.
- Thermometer 0-120 °C.

RETURN:

- 1" F connection fitting with 1" Fu union nut.
- Check valve.
- Filter with a large strainer surface area and magnet.
- Ball valve with sheath for sensor.
- Thermometer 0-120 °C.

MODELS	Grundfos UPM3 FLEX AS 25-75	Grundfos UPM3 AUTO 25-60	Wilo PARA 25/6 SC	Wilo PARA 25/8 SC
PUMP CONTROL	ON/OFF (I,II,II) or PWM-A	ON/OFF (Δp-c / Δp-v / I,II,II)	ON/OFF (Δp-c / Δp-v / I,II,II)	ON/OFF (Δp-c / Δp-v / I,II,II)
MAX. HEAD	7.5m	6m	6.7m	8.4m
KVS OF THE MIXING VALVE	6.3 m ³ /h	6.3 m ³ /h	6.3 m ³ /h	6.3 m ³ /h
CODE	17484	19103	18313	17937
CODE OF PUMP STATION WITHOUT ACTUATOR	18082	19111	18314	17917

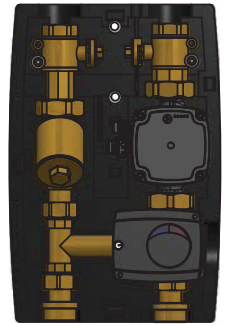
For actuators for mixing valves see page 12.

TECHNICAL DATA

CONNECTIONS	1" F
FLUID WORKING TEMPERATURE	5 - 95 °C
PIPE DISTANCE	125 mm
DIMENSIONS	360 x 133 x 245 mm
AVC05 ACTUATOR	
SHIFT TIME	120 s
TORQUE	5 Nm
SUPPLY VOLTAGE	230 V 50 Hz



In order to clean the filter, close the ball valve above the filter, and the check valve located under the filter will close the outlet from the filter.



ACCESSORIES



Ball Valve w. drain valve, Fu/F (the fitting 15695 is needed for connection with CSE2)

Code: 17415



Union 1" Fu/M incl. gasket

Code: 15695



Union 1"x5/4" Fu/F to connect CSE2 to 5/4" manifold

Code: 17920

ACTUATORS

ACTUATOR DATA TABLE

Model line	Control	Power supply [V]	Torque [Nm]	Shift time [s]	Max. power input [W]	IP rating	Auxiliary switch	Other	Code
AVC0531	3-point control	230	5	60	2.5	IP42	-	manual control possible	10875
AVC0532	3-point control	230	5	120	2.5	IP42	-	manual control possible	9193
AVC0534	3-point control	230	5	240	2.5	IP42	-	manual control possible	10876
AVC0532	3-point control	24	5	120	2.5	IP42	-	manual control possible	11118
AVC05C2M	3-point control	230	5	120	2.5	IP42	adjustable	manual control possible	10878
AVC05Y1M	0-10V control	24	5	60 - 120	5	IP42	-	manual control possible	14682
AVC10Y1M	0-10V control	24	10	60 - 120	5	IP42	-	manual control possible	10873
ACC 30	control to constant temperature	230	6	120	3.5	IP42	-	manual control possible	16101
ACC 40	control to constant temperature	230	6	120	3.5	IP42	-	manual control possible	16102
AHC 40	weather compensation control	230	6	120	3.5	IP42	-	manual control possible	16253

Other accessories (manifolds, safety groups, fittings, valves) can be found in the Product Catalogue.



REGULUS spol. s r.o., Czech Republic

E-mail: sales@regulus.eu

regulus.eu