

Regulus

www.regulus.en



BVT5 nickel-plated

Installation and Operation Manual
Recooling Thermostatic Valve, **BVT5 Model,**
nickel-plated

EN

CE

BVT5 nickel-plated

Technical Data:	
Nominal diameter:	DN 20
Pipe connection	G 3/4" F
Heat source connection	G 1/2" M
Nominal pressure	PN 10
Max. working pressure - heating fluid	6 bar
Max. working pressure - cooling water	10 bar
Max. cooling water pressure after the valve	half of the input pressure value
Working temperature - cooling water	5 to 110 °C
Ambient temperature	0 to 80 °C
Hysteresis	6 °C
Kvs at the opening temp. + 13 °C	2.6 m ³ /h

Materials:	
Valve body	forged brass, nickel-plated
Metal parts	forged brass, nickel-plated
Spring	stainless steel
Sensor	copper
Capillary tube	copper
Sheath	brass, nickel-plated brass
Activation push button	ABS
O-rings and sealing inserts	EPDM, NBR

Installation

The valve shall be installed as close to a boiler as possible, and its sensor shall be placed at the hottest spot, see Fig. 2 BVTS - (A).

The valve shall be installed at a fuel feeder, and the sensor shall be placed inside the fuel feeder, see Fig. 2 BVTS - (B).

The valve may be installed in any position.

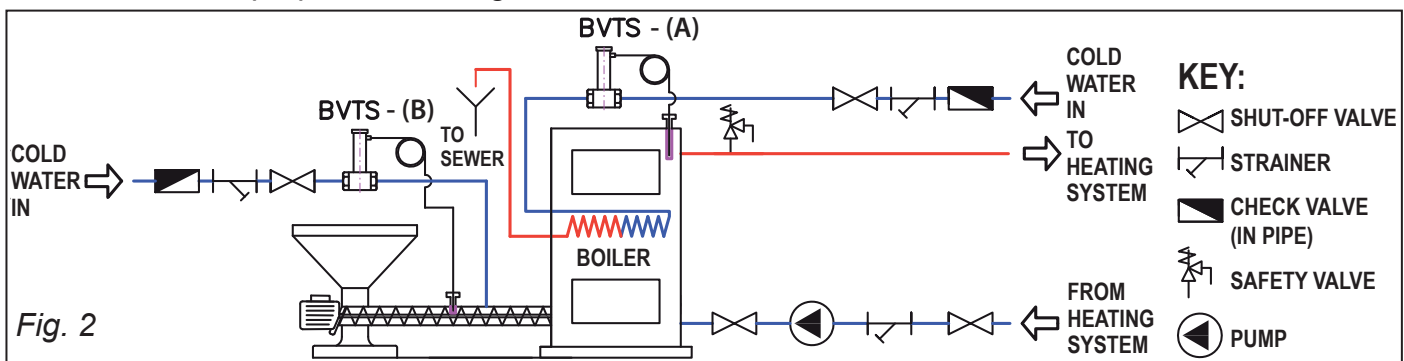
Prior to installation, the system shall be free of dirt that could jam the valve seat and cause a failure. The flow direction is indicated by the arrow on the valve body.

The inlet water pressure to valve shall follow the recommendation of the boiler manufacturer.

A strainer shall be installed upstream of the valve, see Fig. 2.

Max. tightening torque for the sheath is 30 Nm.

After installation, proper functioning of the valve shall be checked.



Maintenance

Check once a year that the valve works properly. This function check is performed manually, namely by pressing the red push button that opens flow through the valve. **The nut holding the red push button shall be neither tightened nor loosened!**

Check and clean the strainer at the cooling water inlet at least once a year.

BVTS Recooling Thermostatic Valves with non-standard opening temperatures:

English	Code	Opening temperature:	Sensor work.temperature:
	14713	97 ± 2 °C	0 to 125 °C