

SINGLE-LINE PUMP STATIONS FOR MIXED HEATING CIRCUITS

CSE MIX G Pump Station with mixing

Pump station intended to control temperature of a mixed circuit or of a return line to solid-fuel boiler through an external controller. The version designed for the right-hand pipe, possible to convert to a left-hand pipe version.



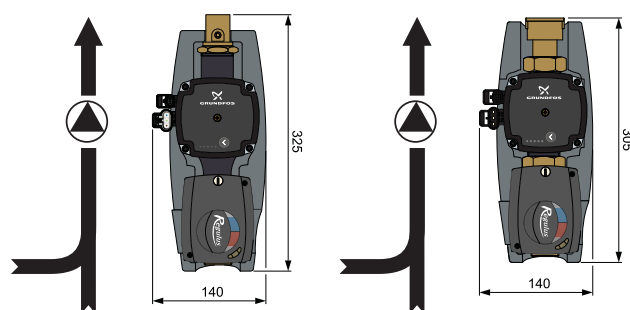
TECHNICAL DATA

FLUID WORKING TEMPERATURE	5 - 95 °C
MIXING VALVE ACTUATOR	3-point control, 120 s, 5 Nm
POWER SUPPLY	230 V, 50 Hz

COMPONENTS

- Grundfos circulation pump with connecting cables with connector
- Mixing valve
- Mixing valve actuator with cable
- Neat insulation for reduced heat loss

DIMENSIONS







MODELS

	CSE MIX G 1M	CSE MIX G 1F	CSE MIX G 5/4F
CONNECTIONS	1" (2x M, 1x F)*	1" (3x F)	5/4" (3x F)
GRUNDFOS UPM3 PUMP	AUTO 25-60	AUTO 25-60	FLEX AS 25-75
PUMP CONTROL	ON/OFF (Δp -c / Δp -v / I,II,III)	ON/OFF (Δp -c / Δp -v / I,II,III)	ON/OFF (I,II,III) or PWM-A
MAX. HEAD	6 m	6 m	7.5 m
KVS OF THE MIXING VALVE	6.3 m ³ /h	10 m ³ /h	16 m ³ /h
CODE	19110	19106	16402
CODE OF PUMP STATION WITHOUT ACTUATOR	-	19102	18753

* the inner thread is located at the outlet end of the pump

ACCESSORIES

Name	Application	Code
 CSE/HV Kit	2 threaded fittings, 1 T-piece, 1 ball valve for an easy connection to Regulus heating circuit manifolds	16922
 T-piece, 1" M/Fu/M, 90 mm	to connect a return line to a mixing valve	16660
 T-piece, 1" M/Fu/M, 125 mm	for an easy connection to Regulus heating circuit manifolds	16659
 Union 1" Fu/F	union nut x F thread	15694

Kindly select actuators on page 25.